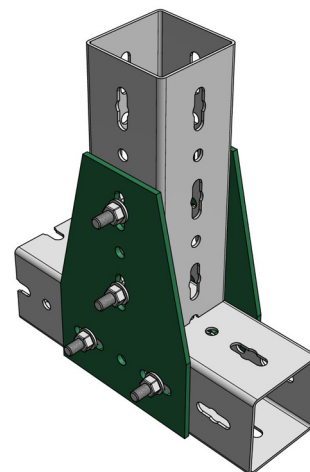


## Maxx T-Connector

for perpendicular connecting profiles

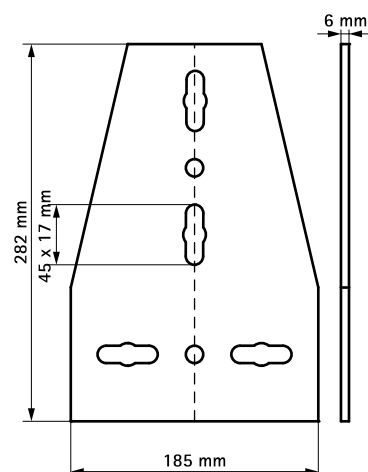
(H2 05 35)



### Features and benefits

- for perpendicular connection to Heavy Rail Profiles
- to aid fabrication with Heavy Rail Profiles
- easy fitting due to rounded edges
- material: steel
- hot dip galvanized

Part No.	Type	Pack 1
658 9 901	IPTC	1



### Complementary

Maxx Heavy Rail Profile  
Maxx Hammerfix