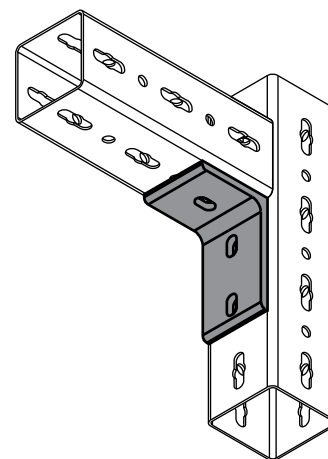


# Maxx Profile Connector 90°

(H2 05 15)

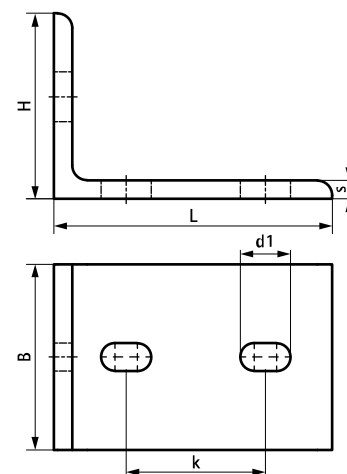
for perpendicular connecting profiles



## Features and benefits

- for perpendicular connection to Heavy Rail Profiles
- material: steel
- hot dip galvanized
- with slotted holes for easy fixing

Part No.	Model	Type	L	B	H	s	d1	k	Weight	Pack 1
				(mm)	(mm)	(mm)	(mm)	(mm)	(kg)	
668 1 015	3 holes	IPC90/3	150 mm	100	100	10.0	27 x 15	75	1,90	1



Complementary  
Maxx Heavy Rail Profile