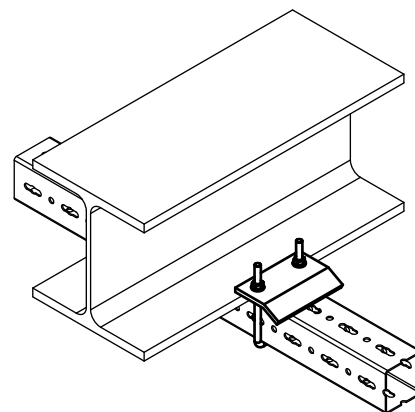


Maxx Beam Clamp

for fixing profiles to beams

(H2 05 45)



Features and benefits

- for a solid fixing to steel construction
- material: steel
- without the need for welding or drilling
- hot dip galvanized
- always use 2 beam clamps per fixing

Part No.	Type	L	Lm1 (mm)	Pack 1
6589100	IPBC100	117 mm	70	1

