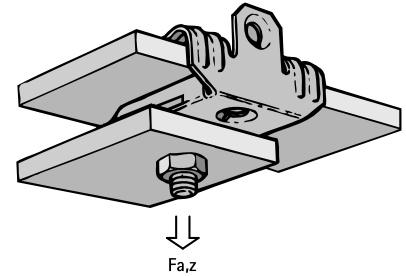
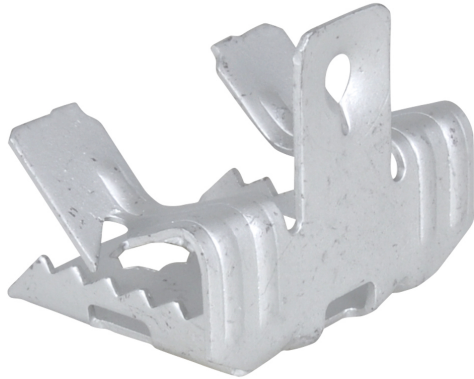


Britclips® FU

for flange 3 - 20 mm

(J 10 05)

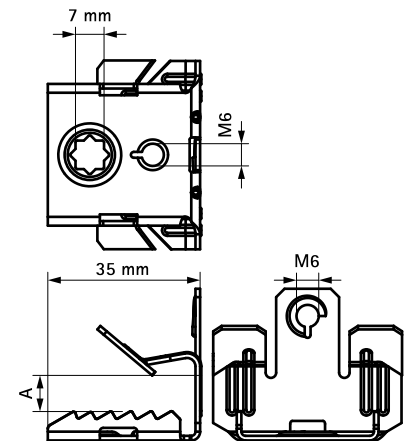


Features and benefits

- for a solid fixing under flanges without welding or drilling
- suitable for horizontal and vertical flanges
- with female thread M6
- material: spring steel (type CS70)
- surface treatment: Delta-Tone 9000 (480 hours)

| Part No. | Code | A (mm) | R | F _{a,z} (N) | Pack 1 | Pack 2 |
|----------|-------------|-------------|----|-------------------------|--------|--------|
| 51420607 | FU7 M6 | 3.0 - 7.0 | M6 | 450 | 100 | 400 |
| 51420613 | FU12,5 M6 | 8.0 - 12.5 | M6 | 450 | 100 | 400 |
| 51420620 | FU20 M6 | 14.0 - 20.0 | M6 | 450 | 100 | 400 |
| 51420663 | FU12,5 M6-B | 8.0 - 12.5 | M6 | 450 | 25 | 250 |

For use with static loads only.



Complementary
Walraven Stud Bolt
Walraven Threaded Rod

Alternative
Britclips® Tiger