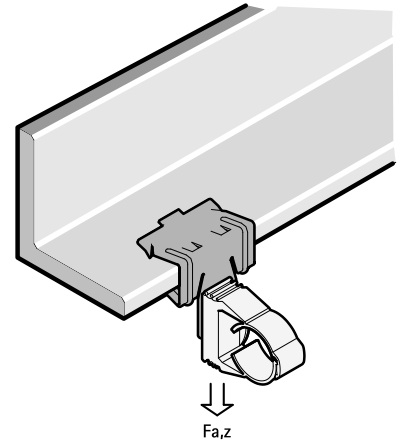


Britclips® FC M6 x 9

for flange 2 - 30 mm

(J 05 25)



Features and benefits

- for a solid fixing to steel construction without the need for welding or drilling
- with stud bolt M6 x 9 mm for fixing of clamp, conduit junction box, etc.
- material: spring steel (type CS70)
- surface treatment: Delta-Tone 9000 (480 hours)

| Part No. | Code | A (mm) | h (mm) | F _{a,z} (N) | Pack 1 | Pack 2 |
|----------|-----------|-----------|-----------|-------------------------|--------|--------|
| 50520604 | FC4 M6x9 | 2 - 4 | 27 | 450 | 100 | 500 |
| 50520609 | FC8 M6x9 | 4 - 8 | 39 | 450 | 100 | 400 |
| 50520616 | FC14 M6x9 | 8 - 14 | 41 | 450 | 100 | 400 |
| 50520620 | FC20 M6x9 | 14 - 20 | 47 | 450 | 100 | 400 |
| 50520630 | FC28 M6x9 | 20 - 28 | 50 | 450 | 100 | 400 |

For use with static loads only.

