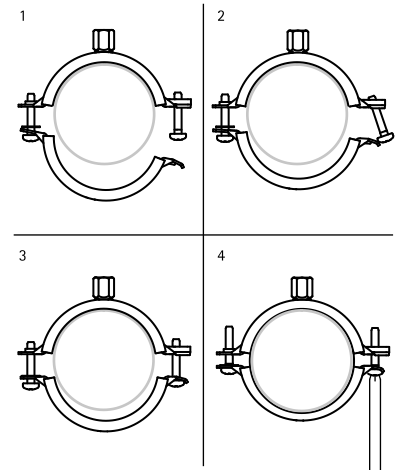


Bifix® G2 with Lining (M8/10) (BUP1000)

(A 05 52)

for steel, copper, cast iron and plastic (multilayer) pipe 10 - 225 mm

M8/10

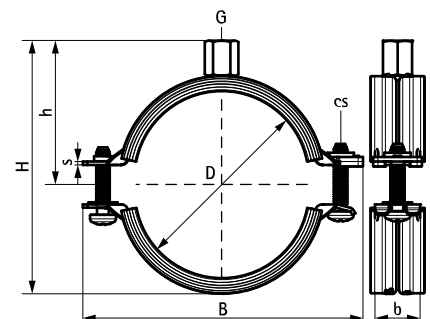


Features and benefits

- two-screw clamp
- quick closing mechanism for easy locking of the clamp with one hand
- 2 component rubber lining provides easy positioning of the pipe during installation
- when the clamp is closed, the pipe rests on soft black rubber lining for increased noise reduction
- material: steel
- temperature resistance from -30 °C to +120 °C
- sound insulating lining according DIN 4109
- noise reduction according to ISO 3822-1 up to 23 dB(A)
- surface protection:
 - product is part of the Walraven BIS UltraProtect® 1000 system
 - suitable for in- and outdoor applications
 - stands min. 1,000 hours salt spray test (max. 5% red rust) according to ISO 9227



RAL-GZ 655/B
Cert.Nr. 2022-03

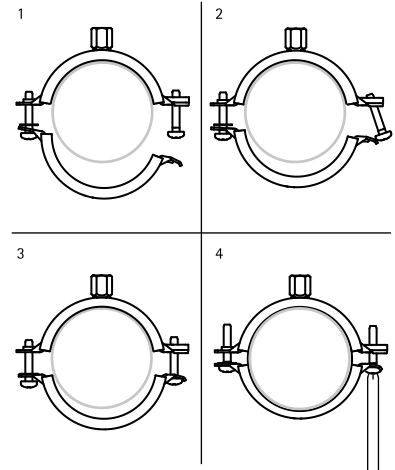


Bifix® G2 with Lining (M8/10) (BUP1000)

(A 05 52)

for steel, copper, cast iron and plastic (multilayer) pipe 10 - 225 mm

M8/10



31085225	219 - 225	8	200	M8/10	283	265	140	25 x 2.50	M8	2,500	-	10
----------	-----------	---	-----	-------	-----	-----	-----	-----------	----	-------	---	----

