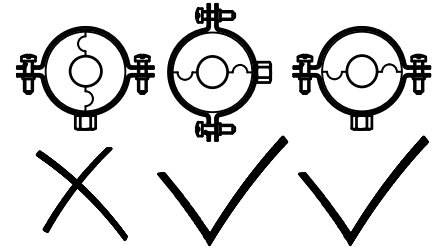
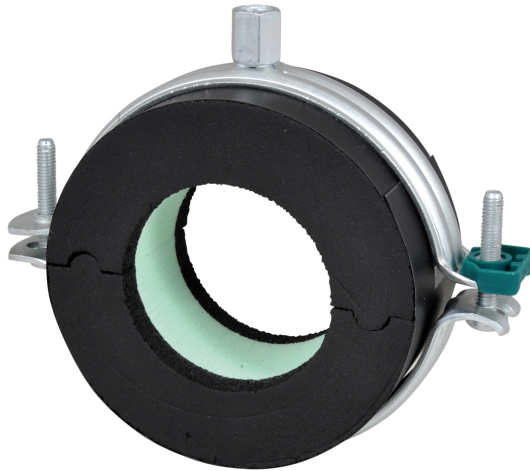


# BISOFIX® E25

(D 05 12)

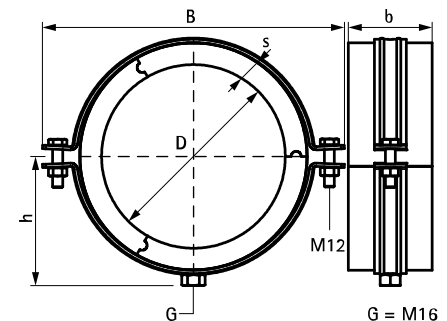
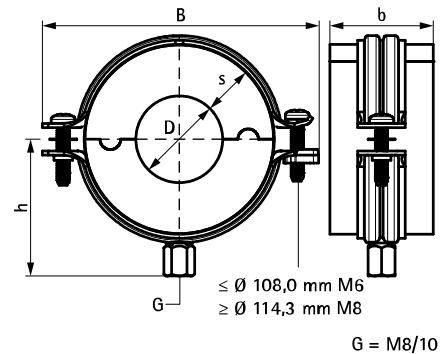
for insulated pipes 12.0 - 219.1 mm

M8/10 - M16



## Features and benefits

- insulated pipe support with pipe clamp BIS Bifix® G2
- clamp with quick locking system
- for fixing of thermal isolated pipe of steel, copper or stainless steel
- vapour proof glueing to pipe insulation
- when installing the pipe support, always align the contact areas of the insulation shells horizontally (to prevent tensile and pressure forces)
- with self-adhesive strip for easy closing of pipe support
- material: steel clamp; pipe support made of PIR foam (core), synthetic rubber (sides) and a vapour-proof layer of black PVC
- does not contain CFC, HCFC, formaldehyde or cadmium
- excellent thermal and mechanical properties
- BIS Bifix G2 Clamp: surface protection:
  - product is part of the BIS UltraProtect® 1000 system
  - suitable for in- and outdoor applications
  - stands min. 1,000 hours salt spray test (max. 5% red rust) according to ISO 9227
- working temperature from -45 °C to +105 °C



Part No.	D (mm)	D (°)	DN	G	B (mm)	h (mm)	b (mm)	s (mm)	F <sub>a,z</sub> (N)	Pack 1
22114012	12.0	-	-	M8/10	104	50	50	25.3	100	12
22114015	15.0 - 16.0	-	-	M8/10	110	53	50	26.5	100	12
22114018	17.2 - 18.0	-	-	M8/10	110	54	50	25.0	100	12
22114022	21.3 - 22.0	-	-	M8/10	118	56	50	25.5	100	12
22114028	26.9 - 28.0	-	-	M8/10	125	58	50	25.0	100	12
22114035	35.0	1	25	M8/10	134	63	50	25.0	100	18
22114042	42.4	1¼	32	M8/10	134	66	50	25.0	150	18
22114048	48.3	1½	40	M8/10	142	69	50	25.0	225	18
22114054	54.0	-	-	M8/10	148	72	50	25.0	225	18
22114060	60.3	2	50	M8/10	155	75	50	25.0	350	18
22114064	64.0	-	-	M8/10	164	78	50	26.0	350	18
22114070	70.0	-	-	M8/10	164	80	50	25.0	425	9
22114076	76.1	2½	65	M8/10	172	84	50	26.0	575	9
22114089	88.9	3	80	M8/10	189	91	50	26.0	875	30
22114102	101.6	-	-	M8/10	201	96	50	25.0	1,000	30
22114108	108.0	-	-	M8/10	209	101	50	26.5	1,075	12
22114114	114.3	4	100	M8/10	217	107	50	27.0	1,250	12
22114219	219.1	8	200	M16	360	294	100	26.0	3,525	6 *

\* provided with BIS HD500 Clamp instead of BIS Bifix® G2.

## Complementary

- BIS RapidRail® Fixing System
- BIS Fixing Accessories
- BIS Fastenings