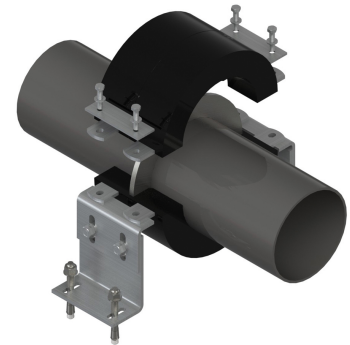


BISOFIX® CF Cold FixPoint Clamp

(E 05 03)

76.1 - 273.0 mm



Installation

Features and benefits

- insulated cold clamps made of pressure-resistant Polyurethane foam
- integral foam inner recess for mounting of the pressure flange
- outer link plates (galvanized) for connection to two piece set by crossbars
- high axial force absorption by the site welded to the pipe pressure flange
- durable materials ensure a long-term and reliable operation security
- sealing adhesive (310 ml) sold separately (Part No. 221 0 000):
 - silicone-free adhesive for vapour sealing of refrigerant pipe
 - 310 ml cartridge
- PUR foam density ca. 250 kg/m³
- flammability class B2 (DIN 4102)
- K value 0.042 W/mK at 0 °C
- Part No. 088 1 XXX: temperature range from -50 °C to +105 °C



088 1 XXX BISOFIX® CF

Part No.	D (mm)	Model	For	F _{a,y} (N)	Pack 1
088 1 076	76.1	Cold FixPoint Clamp	669 8 206 + 6098 3 1120	2,500	1 *
088 1 088	88.9	Cold FixPoint Clamp	669 8 206 + 6098 3 1120	3,000	1 *
088 1 114	114.3	Cold FixPoint Clamp	669 8 206 + 6098 3 1120	4,000	1 *
088 1 133	133.0	Cold FixPoint Clamp	669 8 206 + 6098 3 1120	4,500	1 *
088 1 139	139.7	Cold FixPoint Clamp	669 8 206 + 6098 3 1120	4,500	1 *
088 1 159	159.0	Cold FixPoint Clamp	669 8 206 + 6098 3 1120	6,000	1 *
088 1 168	168.3	Cold FixPoint Clamp	669 8 206 + 6098 3 1120	6,000	1 *
088 1 219	219.1	Cold FixPoint Clamp	669 8 208 + 6098 3 1160	9,000	1 *
088 1 273	273.0	Cold FixPoint Clamp	669 8 208 + 6098 3 1160	12,000	1 *
221 0 000	0.0	Sealing adhesive	-	-	12

* The calculation was made of the maximum acceptable axial forces and the dimensioning of the anchor under the following conditions: quality of the concrete: C20/25 cracked concrete (tensile zone); concrete edges: without border impact; area reinforcement: without/ normal; edge reinforcement: without.

088 1 XXX: BISOFIX® CF Cold FixPoint Clamp is delivered including a weld ring (pressure flange) and closure as well as connecting screws.

Other dimensions on request.

Note! Clamps, Console and Anchors are to be ordered separately.

Console can be found on page E 05 49 / E 05 51 / E 05 54, Anchors on page L 05 25.