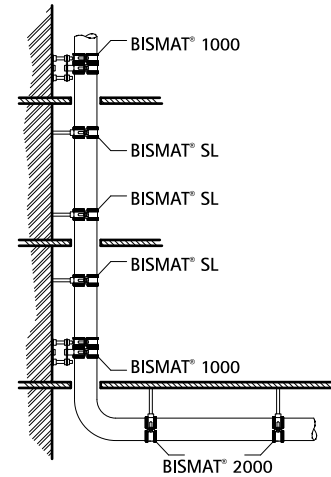


BISMAT[®] 1000 Stand Pipe Clamp

(A 30 10)

for stand pipes DN 70 - DN 200

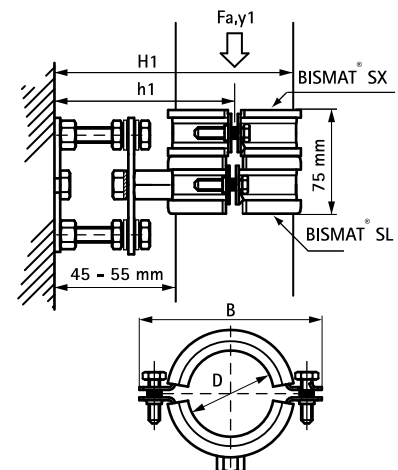


Features and benefits

- adjustable wall plate with BISMAT[®] SL Guidance clamp and BISMAT[®] SX Socket clamp
- unique set for the installation of cast iron or plastic stand pipes
- to be mounted every second floor, height 3.0 m (from Ø 125 mm, one each floor)
- fixing free of tension throughout infinite adjustment
- adjustable distance between pipe and wall
- material: steel
- zinc plated
- noise insulating lining, EPDM rubber, black
- age resistant lining
- noise insulation tested according to DIN 4109 (insulation exceeds standards)

Part No.	D (mm)	DN	Type	B (mm)	H1 (mm)	h1 (mm)	F _{a,y} (N)	Pack 1
3363070	75	70	KA	144	140 - 150	93 - 102	650	5
3363075	78	70	GA	154	140 - 150	93 - 103	650	5
3363080	83	80	GA	144	143 - 153	94 - 104	820	5
3363090	89	80	-	164	147 - 154	102 - 109	820	5
3363100	110	100	KA / GA	176	175 - 185	110 - 120	820	5
3363125	125	125	KA	192	190 - 200	118 - 128	820	5
3363150	160	150	KA / GA	233	235 - 245	137 - 147	820	5
3363200	210	200	GA	284	280 - 290	162 - 172	820	5

KA = Plastic drain pipe, GA = cast iron drain pipe



Complementary
BISMAT[®] SL Guidance Clamp

Alternative
BIS Stand Pipe Bracket