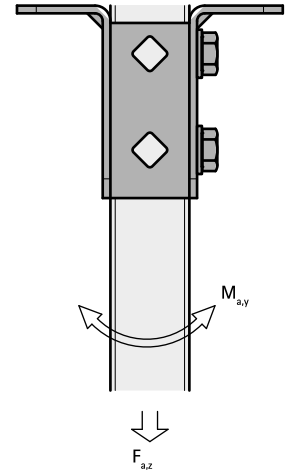


# BIS Strut T-shape Base Plate (BUP1000)

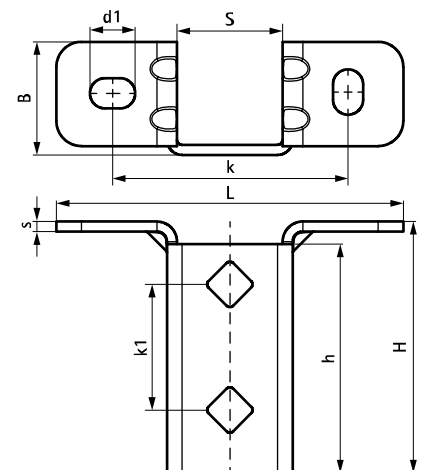
(H 12 12)



## Features and benefits

- highly flexible base plate for Strut rails
- open side of the rail can be turned to all sides
- extra safety by reinforced bending
- hole pattern is adapted to the hole pattern of Strut rails
- material: steel 1.0242 (S250GD) + ZM310 MAC
- surface protection:
  - product is part of the Walraven BIS UltraProtect® 1000 system
  - suitable for in- and outdoor applications
  - stands min. 1,000 hours salt spray test (max. 5% red rust) according to ISO 9227

Part No.	L	B	H	h	s	d1	S	k	k1	F <sub>a,z</sub>	F <sub>a,z 2</sub>	M <sub>a,y</sub>	Pack 1
		(mm)	(mm)	(mm)	(mm)	(mm)	(mm)	(mm)	(mm)	(N)	(N)	(Nm)	
66588361	138 mm	45	100	91	4.0	18 x 12	42	95	50	3,636	3,636	164.0	10
<i>F<sub>a,z</sub>: max. allowed load in combination with 2 slide nuts M10, tightened with 40 Nm.</i> <i>F<sub>a,z 2</sub>: max. allowed load in combination with 2 throughbolts M10, tightened with 40 Nm.</i> <i>M<sub>a,y</sub>: max. moment in combination with 2 throughbolts M10, tightened with 40 Nm.</i>													



### Complementary

Walraven RapidStrut® Fixing Rail (BUP1000)  
 Walraven RapidStrut® Slide Nut with Plastic Tabs (BUP1000)  
 BIS Washer (Flat) (BUP1000)

### Complementary

BIS Hexagon Head Bolt (BUP1000)  
 WTB1 Throughbolt Anchor  
 BIS Yeti® 130 Support System

### Alternative

Walraven RapidStrut® Base Plate G2 (BUP1000)  
 BIS Strut Base Plate Heavy Duty (BUP1000)