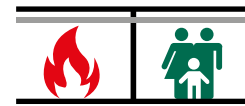
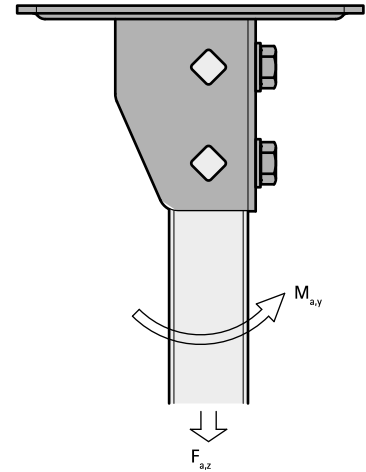


BIS Strut Base Plate G2 (zp)

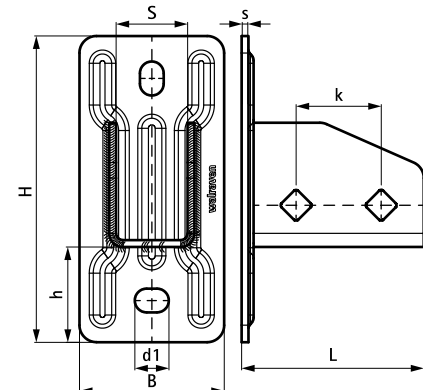
(H 12 11)



Features and benefits

- flexible base plate for Strut rails
- suitable for all Strut rail up to 82mm height
- open side of rails 41x41 can be turned to all sides
- at high loads we advise to install with throughbolts
- material: steel
- tested for fire safety according to EN 1366-1
- zinc plated

Part No.	L	B	H	h	s	d1	S	k	F _{a,z} (N)	F _{a,z 2} (N)	M _{a,y} (Nm)	Pack 1
		(mm)	(mm)	(mm)	(mm)	(mm)	(mm)	(mm)				
66583804	107 mm	85	180	56	4.0	20 x 14	42	50	3,636	5,151	485.0	10
<i>F_{a,z}: max. allowed load in combination with 2 slide nuts M10, tightened with 40 Nm.</i> <i>F_{a,z 2}: max. allowed load in combination with 2 throughbolts M10, tightened with 40 Nm.</i> <i>M_{a,y}: max. moment in combination with 2 throughbolts M10, tightened with 40 Nm.</i>												



Complementary

Walraven RapidStrut® Fixing Rail (pg)
 BIS RapidStrut® Slide Nut with Plastic Tabs (zp)
 BIS Washer (Flat)

Complementary

WTB1 Throughbolt Anchor
 BIS Hexagon Head Bolt

Alternative

BIS RapidStrut® Base Plate G2 (BUP1000)
 BIS Strut Base Plate Heavy Duty (BUP1000)