

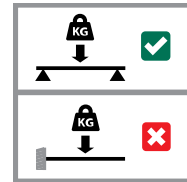
# BIS Strut Angle Connector 45° (BUP1000)

(H 28 68)

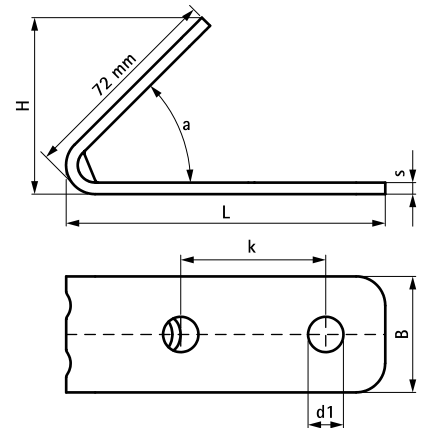


## Features and benefits

- angle connector for all Strut rails to make fabrications
- the hole pattern is adapted to the hole pattern of Strut rails to use throughbolts
- user friendly by rounded edges
- with reinforced bend for extra strength
- material: steel 1.0242 (S250GD) + ZM310 MAC
- surface protection:
  - product is part of the Walraven BIS UltraProtect® 1000 system
  - suitable for in- and outdoor applications
  - stands min. 1,000 hours salt spray test (max. 5% red rust) according to ISO 9227



Part No.	Model	L	B (mm)	H (mm)	s (mm)	d1 (mm)	k (mm)	a (°)	Pack 1
66588270	Short / long	110 mm	40	61	4.0	Ø 12.2	50	45	25



### Complementary

- Walraven RapidStrut® Fixing Rail DS 5 (BUP1000)
- Walraven RapidStrut® Fixing Rail (BUP1000)
- Walraven RapidStrut® Slide Nut with

### Complementary

- Walraven Strut Slide Nut (BUP1000)
- BIS Strut Washer - Flat (BUP1000)