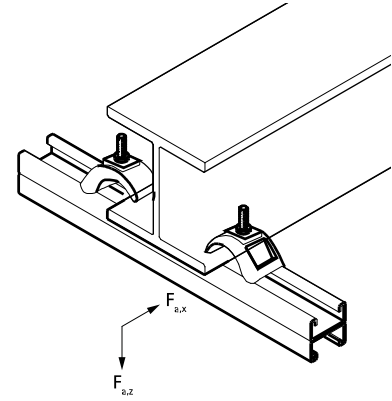


# BIS Strut 'Heavy Duty' Beam Clamp

(H 36 40)

fixing to steel beam up to flange 35 mm

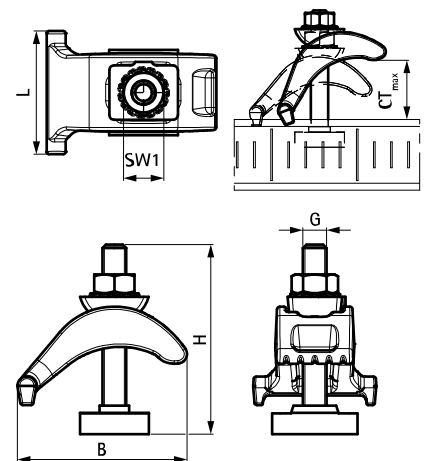


## Features and benefits

- solid cast iron beam clamp for suspension of heavy loads onto beams without welding or drilling
- material: steel
- hot dip galvanized
- up to flange thickness 35 mm
- for fixing of all Strut to a steel beam

Part No.	G	L	B	H	CT <sub>max</sub>	SW1	T <sub>(inst.)</sub>	For Rail	F <sub>a,z</sub>	F <sub>a,x</sub>	Pack 1
			(mm)	(mm)	(mm)	(mm)	(Nm)		(N)	(N)	
6072002	M10	52 mm	72	80	35	17	30.0	Strut	8,000	1,500	25

*F<sub>a,z</sub>: max. allowed load acc. RAL GZ-655 / D-3.3.*



### Complementary

- Walraven RapidStrut® Fixing Rail (pg)
- Walraven RapidStrut® Fixing Rail DS 5 (BUP1000)
- Walraven RapidStrut® Fixing Rail (BUP1000)

### Complementary

- Walraven RapidStrut® Fixing Rail Double (pg)
- Walraven RapidStrut® Fixing Rail Double (hdg)

### Alternative

- BIS Strut 41x21D 'Heavy Duty' Set