

BIS RapidRail® Stainless Steel Cantilever Arm

(M 25 05)

fixing to wall or ceiling



6607120

6607230

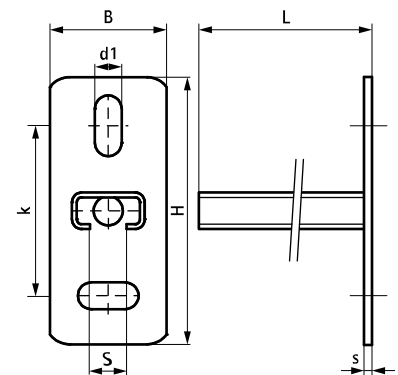
6607250

Features and benefits

- wall plate with welded C-profile
- slots at 90° to each other to simplify fixing
- CO₂ welded
- material: stainless steel 1.4404 (AISI 316L)

Part No.	L	B	H	s1	d1	S	k	From rail	Pack 1
		(mm)	(mm)	(mm)	(mm)	(mm)	(mm)		
6607120	200 mm	48	110	5.0	25 x 11	15	70	30x15	20
6607230	300 mm	48	110	5.0	25 x 11	15	70	30x30	10
6607250	500 mm	48	110	5.0	25 x 11	15	70	30x30	20

For more information about the max. allowed load ($F_{a,z}$) please refer to the loading tables or our online datasheet 'Technical Details BIS RapidRail®'.



Complementary

- BIS Stainless Steel Rail Prop
- BIS RapidRail® Stainless Steel Slide Nut
- BIS RapidRail® Stainless Steel Hammerfix