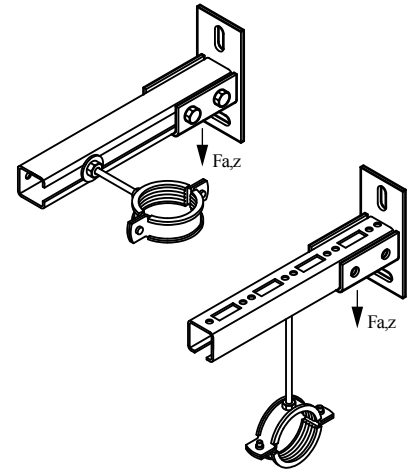
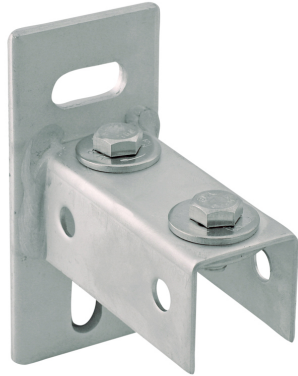


# BIS RapidRail® Stainless Steel Wall Plate

(M 27 05)

fixing to wall



## Features and benefits

- U-profile welded on wall plate
- for wall fixing of rail
- rail can be fixed with slot downwards or sideways
- slots at 90° to each other to simplify fixing
- with pre-assembled double slide nut
- material: stainless steel 1.4401 (AISI 316)

Part No.	T <sub>(max.)</sub> (Nm)	For Rail	F <sub>a,z</sub> (N)	Pack 1
6617200	15.0	WM1, 15, 2	2,850	25

