

BIS Rail Connector with Slide Nuts

(G 35 15)

to make BIS RapidRail® fabrications



658 3 109

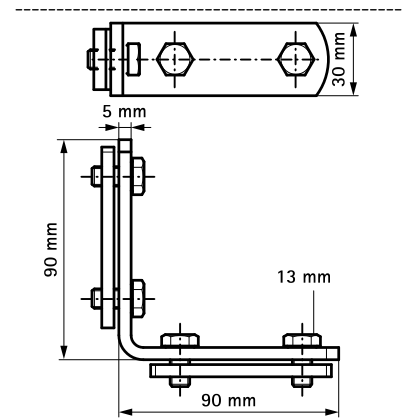
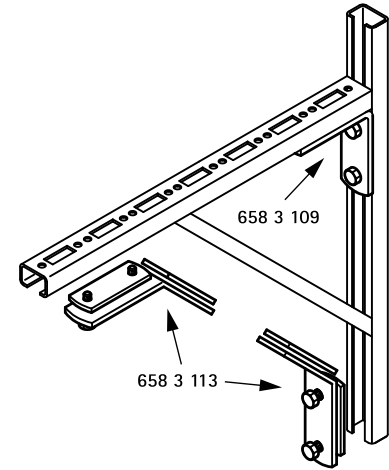


658 3 113

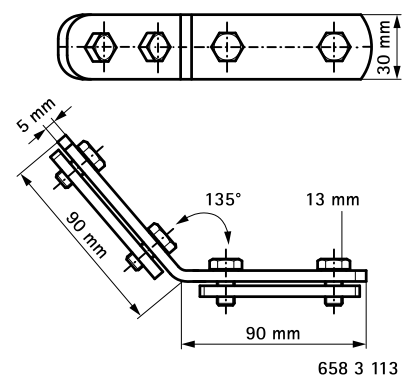
Features and benefits

- to make rail fabrications
- suitable for rail 27x18, 30x15, 30x20, 30x30, 30x45, 38x40
- with pre-assembled double slide nut
- material: steel
- zinc plated

Part No.	a (°)	T _(inst.) (Nm)	For Rail	Pack 1
6583109	90°	15.0	27x18, 30x15, 30x20, 30x30, 30x45, 38x40	25
6583113	135°	15.0	27x18, 30x15, 30x20, 30x30, 30x45, 38x40	25



658 3 109



658 3 113

Complementary
Walraven RapidRail® Fixing Rail

Alternative
BIS RapidRail® Connector 90°