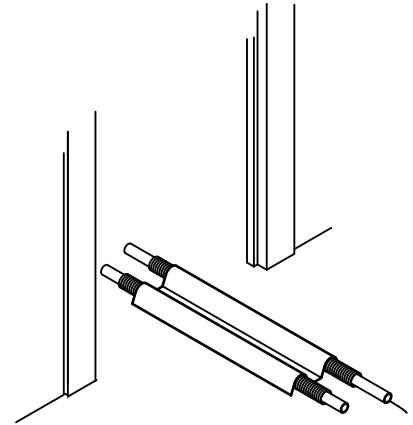


BIS Protection Plate

pipe protection

(0 10 05)



Features and benefits

- to protect hidden pipework after pouring processing floor
- protection of plastic pipes from screws or nails
- pre-galvanized
- material: steel

Part No.	Pack 1
3915001	25

