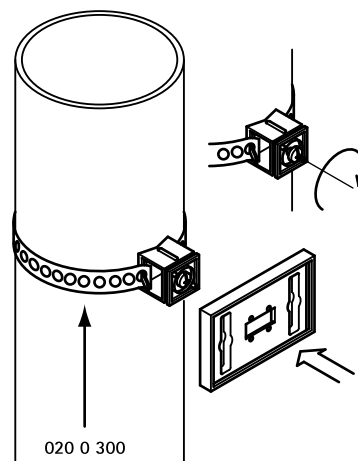


BIS IKS-2000[®] Mounting Band

(N 30 10)



Features and benefits

- for fastening of IKS Text Card Holders
- material: stainless steel 1.4404 (AISI 316L)

| Part No. | L | Pack 1 | App. |
|----------|------|--------|------|
| 0200300 | 20 m | 10 | roll |

