

BIS Fixing Set for Radiator (OS1/ZVH)

(0 30 10)

fixing of central heating radiators

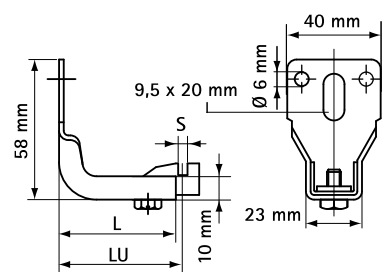
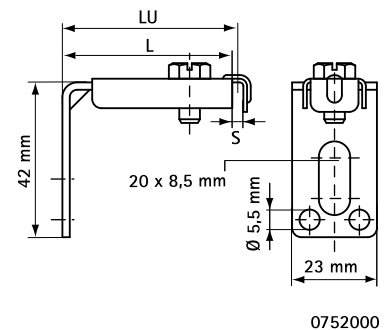


Features and benefits

- fixing set (OS1 - ZVH) for radiators with sharp weld on top and side
- support provided with reinforcement groove
- material: metal parts made of steel; plug made of PA (polyamide)
- zinc plated
- Part No. 0751000:
 - 2 Bottom supports (Part No. 0750000)
 - 2 Upper/Side supports (Part No. 0752000)
 - 1 Fixing set (Part No. 0658200)

Part No.	Model	Type	L	LU (mm)	S (mm)	F _{a,z} (N)	Pack 1	Pack 2
0751000	Fixing set for radiator	OS1/ZVH	-	-	-	-	50	-
0752000	Upper/Side support	7520	42 mm	46 - 62	3.0	-	50	200
0750000	Bottom support	-	50 mm	47 - 69	4.0	275	50	200
0750400	Bottom support	7504	90 mm	72 - 102	4.0	240	50	-

Parts also separately available.



Alternative 0750000 / 0750400
 ----- BIS-Fixing Set for Isolated Radiator (OS1/ZVH) 50 mm

