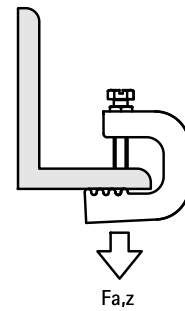
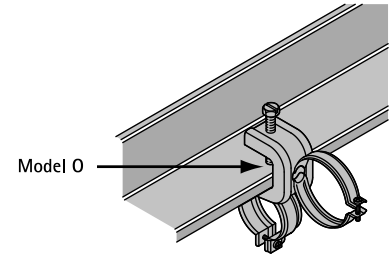


# BIS Beam Clamp Model O

(K 20 15)

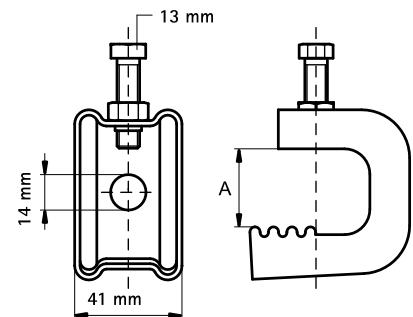
for flange up to 45 mm



## Features and benefits

- for a solid fixing to steel construction without the need for welding or drilling
- up to flange thickness 45 mm
- with hole  $\varnothing$  14 mm for fixing of BIS IC-clamp, stud bolt or S-Hook
- with serration for increased security
- material: steel
- surface treatment: Dacromet
- see also: IC-clamp (for conduit or cable); square nut (for threaded rod) or protective cap (to avoid damaging of protected surfaces)

| Part No. | A (mm)    | $F_{a,z}$ (N) | Pack 1 |
|----------|-----------|---------------|--------|
| 6077020  | $\leq 20$ | 1,100         | 25     |
| 6077030  | $\leq 30$ | 1,200         | 25     |
| 6077045  | $\leq 45$ | 1,300         | 25     |



## Complementary

Walraven Stud Bolt  
BIS Beam Clamp Model O - Accessories