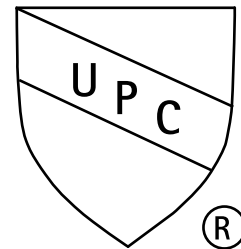
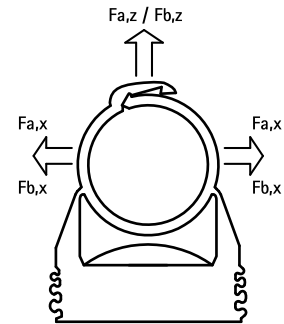
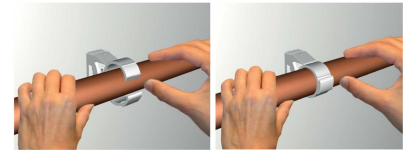


starQuick® Clamp (Grey)

(C0507)

to fix pipes for electrical and mechanical installations to wall, floor or ceiling 71 - 115 mm



Features and Benefits

- one-part clamp
- clamp closes by applying pressure to the pipe, use hands for full closing
- clamp can be mounted to wall, floor or ceiling by use of two bolts (outer slots) or by using a standard Walraven slide nut (middle hole) and screwing the clamp on a threaded rod
- for outdoor use and installations in swimming pool environments, chemical factories, zinc factories, etc.
- material: modified PA6 (polyamide), grey (according to RAL 7035)
- resistant to UV, ageing, oil and petrol
- no corrosion, recyclable, halogen free
- temperature resistance from approx. -40 °C to approx. +90 °C (constant); short to approx. +130 °C

Part No.	D (mm)	D (°)	DN	B (mm)	H (mm)	h (mm)	d1 (mm)	d2 (mm)	h2 (mm)	F _{a,z} (N)	Pack 1
08541075	71 - 76	2½	65	105	116	75	Ø 10.5	13 x 8.3	28	650	50
08541090	88 - 93	3	80	115	133	85	Ø 13.0	13 x 8.3	32	730	40
08541110	109 - 115	4	100	145	165	105	Ø 13.0	15 x 10.5	35	1,200	25

Part no. 08541075: use M8 bolts (for outer slots) or M10 Walraven slide nut to connect to M10 threaded rods (for middle hole).

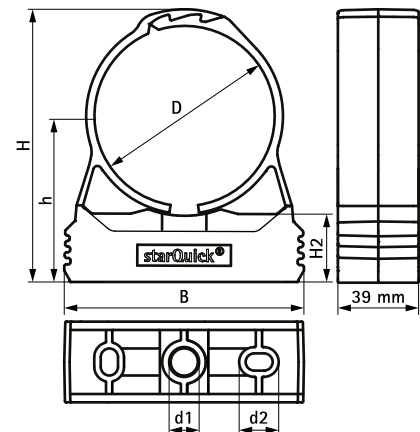
Part no. 08541090: use M8 bolts (for outer slots) or M12 Walraven slide nut to connect to M12 threaded rods (for middle hole).

Part no. 08541110: use M10 bolts (for outer slots) or M12 Walraven slide nut to connect to M12 threaded rods (for middle hole).

$$F_{0,x} = F_{0,z} / F_{0,x} = F_{0,z}$$

Maximum allowed load at a temperature of +21 °C (+70 °F) and fixing with BIS Strut Slide Nut M12 + BIS Threaded Rod M12.

The values are recommended values and based on our nowadays technical knowledge, experience and statements in the literature as well as testing under laboratory circumstances. They do not relieve the user of own testing of the end product due to the big number of parameter of influence in the mounting process and the application. A legal confirmed assurance of properties or the suitability for a specific application cannot be based on our specifications.



Complementary

- Walraven Strut Slide Nut (zp)
- Walraven Strut Slide Nut (hdg)
- Walraven RapidStrut® Fixing Rail (pg)

Complementary

- Walraven Strut Slide Nut (BUP1000)
- Walraven RapidStrut® Fixing Rail DS 5 (BUP1000)