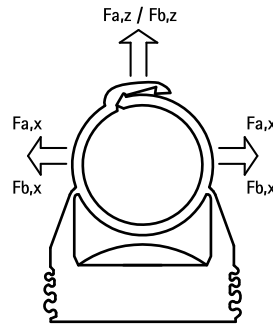
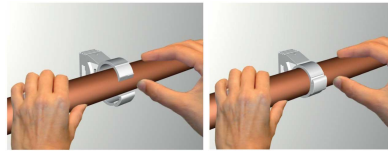


starQuick® Clamp (Grey)

(C 05 05)

to fix pipes for electrical and mechanical installations to wall, floor or ceiling 10 - 65 mm

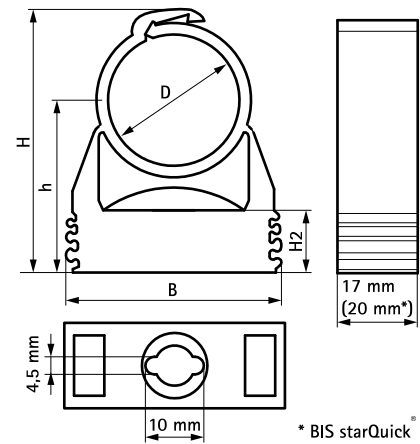


kiwa



Features and Benefits

- one-part clamp
- clamp closes by applying pressure to the pipe
- for outdoor use and installations in swimming pool environments, chemical factories, zinc factories, etc.
- due to a patented profile it is possible to tack several clamps to each other
- material: modified PA6 (polyamide), grey (according to RAL 7035)
- resistant to UV, ageing, oil and petrol
- no corrosion, recyclable, halogen free
- temperature resistance from approx. -40 °C to approx. +90 °C (constant); short to approx. +130 °C



* BIS starQuick®
Ø 59 - 65 mm

| Part No. | D (mm) | D (") | DN | Type | B (mm) | H (mm) | h (mm) | H2 (mm) | F _{a,z} (N) | F _{a,z} (kg) | F _{b,z} (N) | F _{b,z} (kg) | KIWA | UL | UPC | Pack 1 | Pack 2 |
|----------|---------|-------|----|-------|--------|--------|--------|---------|----------------------|-----------------------|----------------------|-----------------------|------|----|-----|--------|--------|
| 0854010 | 10 - 12 | 1/8 | 6 | SQ-10 | 29 | 32 | 23 | 10.5 | 170 | 17 | 500 | 50 | - | UL | UPC | 100 | 1,200 |
| 0854012 | 12 - 14 | 1/4 | 8 | SQ-12 | 29 | 34 | 23 | 10.5 | 180 | 18 | 550 | 55 | KIWA | UL | UPC | 100 | 1,200 |
| 0854015 | 14 - 16 | - | - | SQ-15 | 29 | 36 | 24 | 10.5 | 200 | 20 | 600 | 60 | KIWA | UL | UPC | 100 | 1,200 |
| 0854018 | 16 - 20 | 3/8 | 10 | SQ-17 | 29 | 40 | 26 | 10.5 | 230 | 23 | 700 | 70 | KIWA | UL | UPC | 100 | 800 |
| 0854022 | 20 - 23 | 1/2 | 15 | SQ-20 | 29 | 44 | 27 | 10.5 | 270 | 27 | 800 | 80 | KIWA | UL | UPC | 50 | 600 |
| 0854028 | 24 - 28 | 3/4 | 20 | SQ-25 | 40 | 50 | 31 | 10.5 | 280 | 28 | 850 | 85 | KIWA | UL | UPC | 50 | 600 |
| 0854031 | 28 - 32 | - | - | SQ-28 | 40 | 53 | 32 | 10.5 | 300 | 30 | 900 | 90 | KIWA | UL | UPC | 50 | 400 |
| 0854035 | 32 - 35 | 1 | 25 | SQ-32 | 43 | 57 | 34 | 10.5 | 330 | 33 | 1,000 | 100 | KIWA | UL | UPC | 50 | 400 |
| 0854038 | 35 - 40 | - | - | SQ-36 | 47 | 66 | 41 | 12.0 | 330 | 33 | 1,000 | 110 | KIWA | UL | UPC | 25 | 300 |
| 0854042 | 40 - 44 | 1 1/4 | 32 | SQ-40 | 52 | 70 | 42 | 12.0 | 330 | 33 | 1,000 | 120 | KIWA | UL | UPC | 25 | 200 |
| 0854050 | 44 - 50 | - | - | SQ-47 | 57 | 76 | 45 | 12.0 | 330 | 33 | 1,000 | 130 | - | UL | UPC | 25 | 200 |
| 0854054 | 48 - 55 | 1 1/2 | 40 | SQ-51 | 63 | 81 | 47 | 12.0 | 330 | 33 | 1,000 | 140 | - | UL | UPC | 15 | 180 |
| 0854063 | 59 - 65 | 2 | 50 | SQ-59 | 74 | 94 | 55 | 12.0 | 500 | 50 | 1,500 | 150 | - | UL | UPC | 15 | 180 |

$F_{a,x} = F_{a,z} / F_{b,x} = F_{b,z}$

Maximum allowed load at a temperature of +21 °C (+70 °F) and fixing with M6 BIS starQuick® nut + M6 steel treaded rod.

The values are recommended values and based on our nowadays technical knowledge, experience and statements in the literature as well as testing under laboratory circumstances. They do not relieve the user of own testing of the end product due to the big number of parameter of influence in the mounting process and the application. A legal confirmed assurance of properties or the suitability for a specific application cannot be based on our specifications.

Complementary

- starQuick® Duo Wall Plate
- starQuick® Hammer-in Screw
- starQuick® Fixing Nut

Alternative

- starQuick® Clamp - M6 (Grey)