

# Walraven Yeti® Type A-low Rubberfoot Support System (BUP1000)

(1 04 72)

for Rooftop Installations



## Features and Benefits

- economic model with only 50mm height
- for supporting small pipework systems, ductwork runs and cable trays
- to support climate installations, walkways on flat roofs, etc.
- does not penetrate the waterproof membrane (at PVC roofs a separating layer must be installed to protect against plasticizer migration - see Walraven Yeti® Triplex Separation Layer)
- material: vulcanized rubber, black; Strut Channel made of steel 1.0242
- UV resistant
- Strut Channel: surface protection:
  - product is part of the BIS UltraProtect® 1000 system
  - suitable for in- and outdoor applications
  - stands min. 1,000 hours salt spray test (max. 5% red rust) according to ISO 9227
  - noise reduction according to DIN EN ISO 10140-1 and DIN EN ISO 10140-3 up to 33 dB(A)



ITB No.  
LZM00-2195

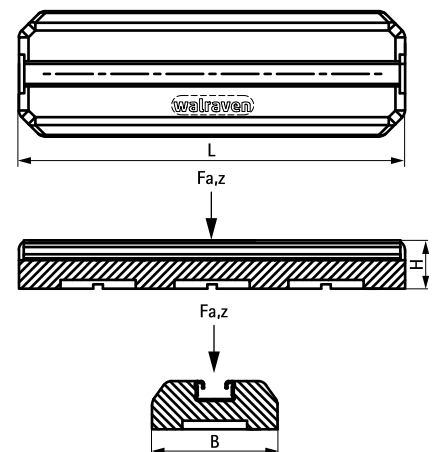


2058-001-24

Part No.	Model	L	B (mm)	H (mm)	F <sub>a,z</sub> (N)	Pack 1	App.
67688025	Rubberfoot low incl. channel	250 mm	130	50	1,500	1	pc.
67688040	Rubberfoot low incl. channel	400 mm	130	50	2,000	1	pc.

For a detailed calculation and for support how to spread the load please contact Walraven Technical Support.

In cases where a foot is used in roof applications, the installer is obliged to verify maximum load capacity of roof before installation.



## Complementary

Walraven Yeti® Triplex Separation Layer

## Alternative

Walraven Yeti® Type A Rubberfoot  
Walraven Yeti® Type A Rubberfoot Kits