

Walraven Yeti® 335 Walkway Extension

(I 10 10)

prefabbed Walkway Extension Set for Rooftop Installations

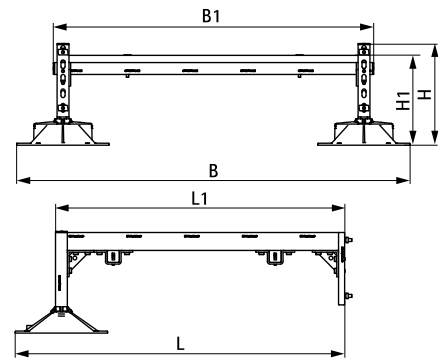


Features and Benefits

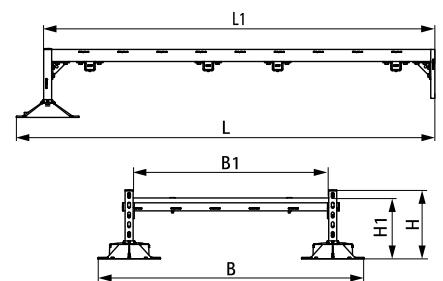
- extension set for installation of walkways on flat and low pitched roofs
- with non-slip anti-vibration mat (at PVC roofs a separating layer must be installed to protect against plasticizer migration – see Walraven BIS Yeti® Triplex Separation Layer)
- predefined load capacity: calculation not necessary
- pre-assembled ready-to-use set for quick installation
- adjustable in height from 230 mm to 330 mm (pre-assembled to 330 mm height)
- mouldings made of WPC, a composite of recycled plastic and wood fibre
- resistant to UV and chemical influences
- rail system construction: surface protection:
- product is part of the BIS UltraProtect® 1000 system
- suitable for in- and outdoor applications
- stands min. 1,000 hours salt spray test (max. 5% red rust) according to ISO 9227
- grids / steps: surface protection: hot dip galvanized
- noise reduction according to DIN EN ISO 10140-1 and DIN EN ISO 10140-3 up to 31 dB(A)
- UV-resistance according to EN ISO 16474-3:2014-02 - certified by ITB
- designs according to EN 14122



Nr. 1762-001-19 ITB No. LZM00-02259



67685811



67685813

Part No.	L	L1 (mm)	B (mm)	B1 (mm)	H (mm)	H1 (mm)	F _{a,z} (N)	Pack 1
67685811	1,140 mm	1,000 mm	1,362	1,100	348	311	2,000	1
67685813	2,138 mm	2,000 mm	1,361	1,000	348	311	2,000	1

For a detailed calculation and for support how to spread the load please contact Walraven Technical Support.

In cases where a foot is used in roof applications, the installer is obliged to verify maximum load capacity of roof before installation.

Complementary

Walraven Yeti® Triplex Separation Layer
Walraven Yeti® 335 Walkway