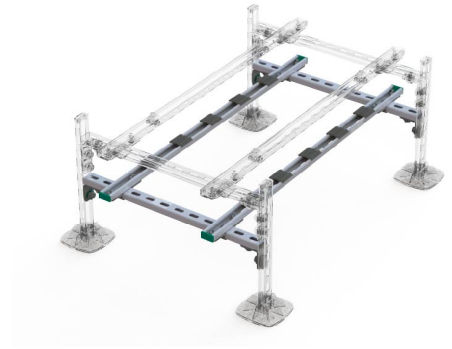
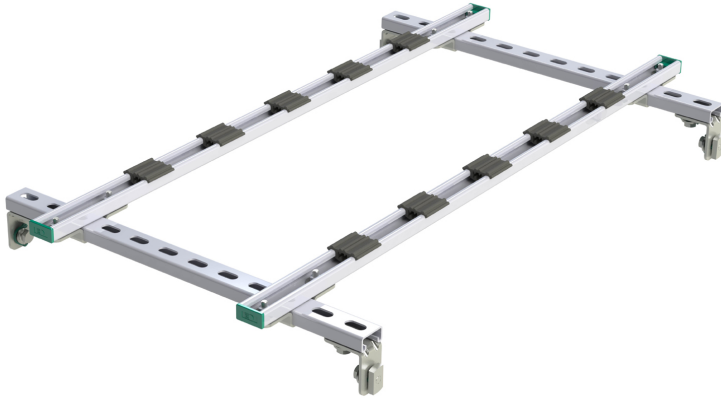


Walraven Yeti[®] 130 Extension Level (BUP1000)

(1 04 53)

to add ballast blocks to Yeti[®] 130 Frame Sets

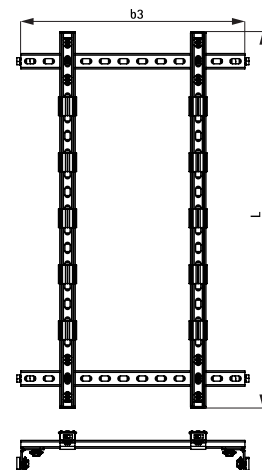


Features and Benefits

- complete set for use in combination with BIS Yeti[®] Frame Set (Art.no. 67685532)
- to build an additional layer for ballast blocks
- including rubber lining strips
- material: steel
- surface protection:
 - product is part of the Walraven BIS UltraProtect[®] 1000 system
 - suitable for in- and outdoor applications
 - stands min. 1,000 hours salt spray test (max. 5% red rust) according to ISO 9227

Part No.	Model	L	B	b3	H	k	k1	F _{a,z}	Pack 1
			(mm)	(mm)	(mm)	(mm)	(mm)	(N)	
67685522	BIS Yeti [®] Extension Level for Ballast ISO BUP	1,000 mm	751	600	42	850	621	1,500	1

Maximum load (F_{a,z}) depends on the load capacity of the trapezium shaped roofing sheet. Before mounting, the roof load capacity has to be confirmed by a structural engineer. If changes to the mounting parameters is necessary then please contact Walraven Technical Department.



Complementary

Walraven Yeti[®] 130 Frame Set (BUP1000)