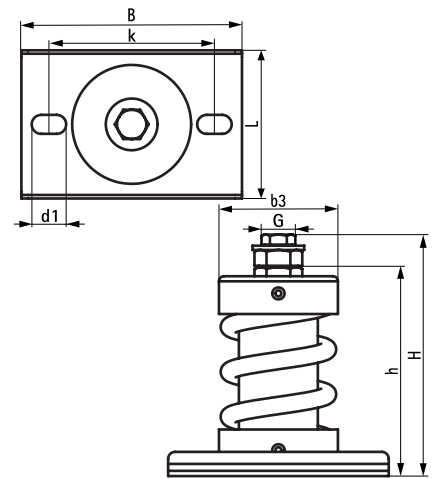
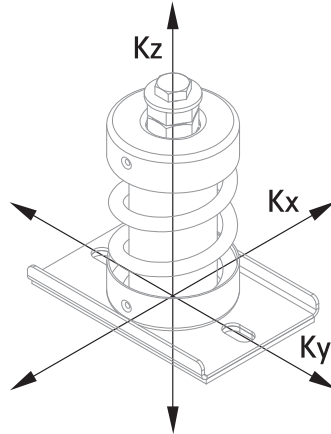


Walraven VibraTek® MS-1X-CBL Spring Mount

(L2 05 33)

high performance spring isolator for use with A-L1 welding bracket and concrete inertia base frames



Features and Benefits

- recommended for machinery with low working speeds above 600 RPM
- epoxy powder-coated base, caps and springs provide increased resistance to corrosion
- flexible internal filler prevents debris and solid elements entering and damaging the spring under load
- Technical Data
 - average ratio $K_x / K_z = K_y / K_z = 0.7$
- working temperature range -90 °C till 150 °C
- ribs in the metal base provide increased stiffness
- slot holes facilitate positioning and anchoring to the base material

Part No.	G	L	B	b3	H	h	d1	k	Min. Load	Max. Load	Min. Optimal Load	Max. Optimal Load	Max. Deflection	Pack 1
			(mm)	(mm)	(mm)	(mm)	(mm)	(mm)	(N)	(N)	(N)	(N)	(mm)	
2801901000	M10	86 mm	128	∅ 69	140.1	121.2	20 x 11	96	100	1,000	200	920	25.0	13
2801901250	M10	86 mm	128	∅ 69	140.1	121.2	20 x 11	96	130	1,250	250	1,150	25.0	13
2801901500	M10	86 mm	128	∅ 69	140.1	121.2	20 x 11	96	150	1,500	300	1,380	25.0	13
2801902000	M10	86 mm	128	∅ 69	140.1	121.2	20 x 11	96	200	2,000	400	1,840	25.0	13
2801903000	M10	86 mm	128	∅ 69	140.1	121.2	20 x 11	96	300	3,000	600	2,760	25.0	13
2801904000	M10	86 mm	128	∅ 69	140.1	121.2	20 x 11	96	400	4,000	800	3,680	25.0	13
2801905000	M10	86 mm	128	∅ 69	140.1	121.2	20 x 11	96	500	5,000	1,000	4,600	25.0	13
2801906000	M10	86 mm	128	∅ 69	140.1	121.2	20 x 11	96	600	6,000	1,200	5,520	25.0	13

See Product Data Sheet for further technical information.

Complementary

Walraven VibraTek® A-L1 Angle Bracket for Welding