

Walraven VibraTek® MR-L 8000/M16 Rubber Levelling Mount

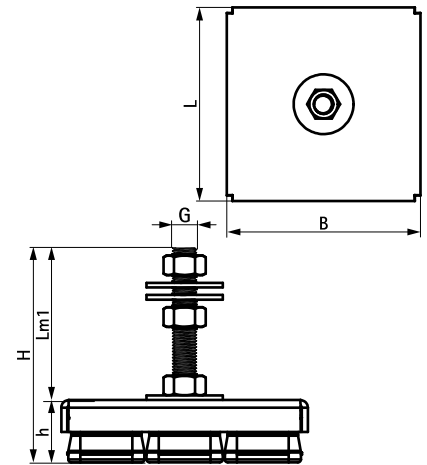
(L2 05 27)

rubber mount with M16 connection for equipment isolation and levelling



Features and Benefits

- recommended for machinery with working speeds above 2500 RPM, providing a degree of vibration insulation from 75% to 80%
- simple to install and does not need to be fixed to the supporting structure
- working temperature range -20 °C till 90 °C
- rubber isolator with DIN 934 nuts and DIN 9012 washers included in delivery for mounting and levelling equipment
- metal and rubber parts can be separated for recycling
- hardness 45 shore A



Part No.	G	L	B	H	h	Lm1	Min. Load	Max. Load	Min. Optimal Load	Max. Optimal Load	Max. Deflection	Pack 1
			(mm)	(mm)	(mm)	(mm)	(N)	(N)	(N)	(N)	(mm)	
2800108000	M16	162 mm	162	141	41	100	500	8,000	1,000	7,500	7.5	6

See Product Data Sheet for further technical information.