

Walraven VibraTek® HS-1X Spring Hanger

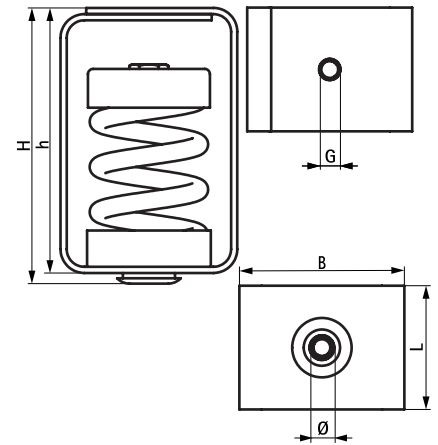
(L2 05 42)

high performance spring isolator for medium to heavy machinery



Features and Benefits

- simple to install and does not need to be fixed to the base material
- recommended for machinery with low working speeds above 700 RPM
- epoxy powder-coated housing, cap and spring provide increased resistance to corrosion
- rubber spring base cup prevents contact between housing and the spring
- working temperature range -90 °C till 150 °C



Part No.	G	L	B	H	h	Ø	Min. Load (N)	Max. Load (N)	Min. Optimal Load (N)	Max. Optimal Load (N)	Max. Deflection (mm)	Pack 1
2800701000	M12	75 mm	100	156	150	22	100	1,000	200	900	25.0	10
2800701250	M12	75 mm	100	156	150	22	130	1,250	250	1,150	25.0	10
2800701500	M12	75 mm	100	156	150	22	150	1,500	300	1,380	25.0	10
2800702000	M12	75 mm	100	156	150	22	200	2,000	400	1,840	25.0	10
2800703000	M12	75 mm	100	156	150	22	300	3,000	600	2,760	25.0	10
2800704000	M12	75 mm	100	156	150	22	400	4,000	800	3,680	25.0	10
2800705000	M12	75 mm	100	156	150	22	500	5,000	1,000	4,600	25.0	10
2800706000	M12	75 mm	100	156	150	22	600	6,000	1,200	5,400	25.0	10

See Product Data Sheet for further technical information.