

Walraven U-Clamp

(B 10 25)

for steel pipes 17.2 - 273.0 mm

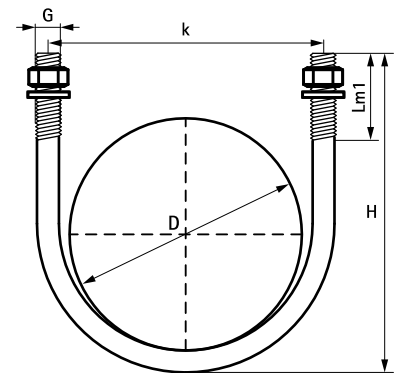


Features and Benefits

- U-clamp with thread
- including nuts and washers
- material: steel
- zinc plated

Part No.	D (mm)	D (")	DN	G	H (mm)	Lm1 (mm)	k (mm)	Pack 1
2084306017	17.2	3/8	10	M6	42	19	24	100
2084306021	21.5	1/2	15	M6	48	25	28	100
2084306027	26.9	3/4	20	M6	63	30	35	50
2084306034	33.7	1	25	M6	71	30	42	50
2084308027	26.9	3/4	20	M8	63	30	35	100
2084308034	33.7	1	25	M8	71	30	42	100
2084308042	42.4	1 1/4	32	M8	79	30	51	100
2084308049	48.3	1 1/2	40	M8	80	30	57	100
2084308060	60.3	2	50	M8	92	30	69	25
2084308076	76.1	2 1/2	65	M8	108	30	85	25
2084310090	88.9	3	80	M10	131	40	99	25
2084310114	114.3	4	100	M10	167	50	127	25
2084310140	140.0	5	125	M10	188	55		20
2084310168	168.0	6	150	M10	215	55		20
2084310220	220.0	8	200	M10	268	55		20
2084312140	139.7	5	125	M12	191	50	152	25
2084314168	168.3	6	150	M14	219	50	180	10
2084316219	219.1	8	200	M16	282	60	236	10
2084316273	273.0	10	250	M16	336	60	290	10

Also available in stainless steel.



Alternative

BIS Stainless Steel U-Clamp
Walraven U-Clamp (long)