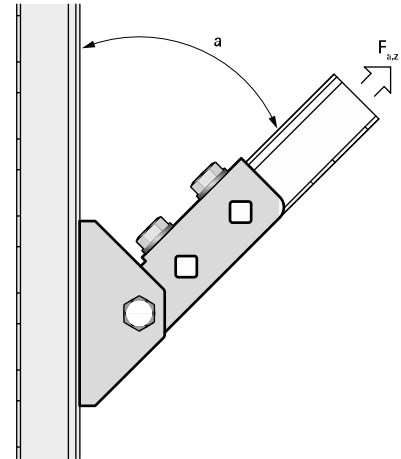
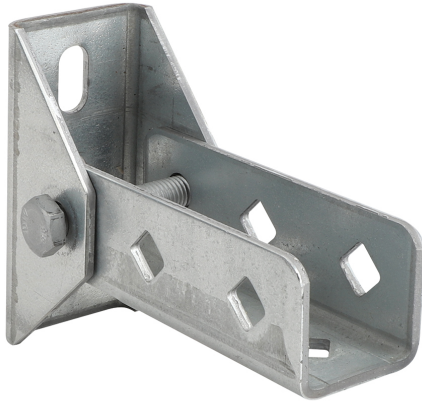


Walraven Strut Wall Plate (Hinged) (BUP1000)

(H 12 25)

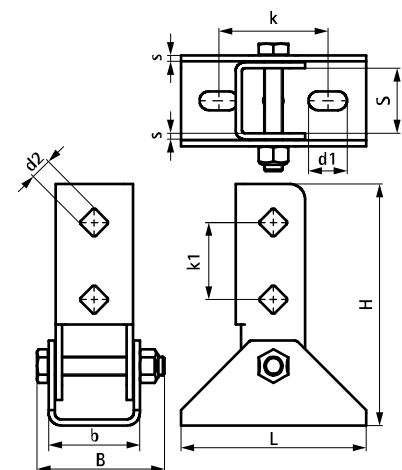
fixing to wall



Features and Benefits

- wall plate with hinging U-profile
- for wall fixing of rail
- rail can be fixed with slot downwards or sideways
- also used to strengthen constructions with Strut 41x41
- material: steel 1.0332
- surface protection:
 - product is part of the Walraven BIS UltraProtect® 1000 system
 - suitable for in- and outdoor applications
 - stands min. 1,000 hours salt spray test (max. 5% red rust) according to ISO 9227

| Part No. | L | B | H | b | s | d1 | d2 | S | k | k1 | For Rail | F _{a,z} | Pack 1 |
|---|--------|------|------|------|------|---------|------|------|------|------|----------|------------------|--------|
| | | (mm) | (mm) | (mm) | (mm) | (mm) | (mm) | (mm) | (mm) | (mm) | | (N) | |
| 66588814 | 120 mm | 83 | 157 | 59 | 4.0 | 25x12.2 | 13.8 | 42 | 71 | 50 | Strut | 2,500 | 10 * |
| Max. allowed load (F _{a,z}) under an angle of 45°. * Tested with rail 41x41x2.5 with throughbolts. More details can be found on the Technical Datasheet. | | | | | | | | | | | | | |



Complementary

Walraven RapidStrut® Fixing Rail (pg)