

# Walraven Strut Square Slide Nut (BUP1000)

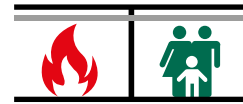
(H 24 32)

fixing to Strut rail



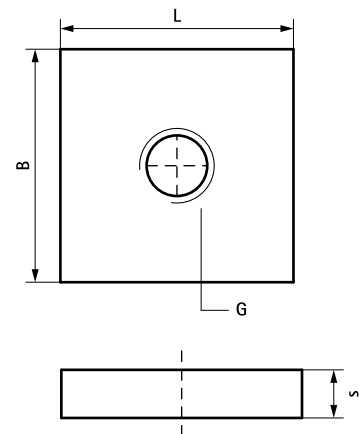
## Features and Benefits

- material: steel 1.0332
- surface protection:
  - product is part of the Walraven BIS UltraProtect® 1000 system
  - suitable for in- and outdoor applications
  - stands min. 1,000 hours salt spray test (max. 5% red rust) according to ISO 9227
- tested for fire safety



Part No.	G	L	B (mm)	s (mm)	For Rail	F <sub>a,z</sub> (N)	F <sub>a,z 2</sub> (N)	Pack 1	Pack 2
65178016	M16	35 mm	35	10	Strut	5,000	15,000	50	250

*F<sub>a,z 2</sub> tested in profile 41x62x2,5 with BIS Strut Washers - U-shaped, art.nr. 66588016.*



### Complementary

Walraven RapidStrut® Fixing Rail DS 5 (BUP1000)  
 Walraven RapidStrut® Cantilever Arm (BUP1000)  
 BIS Heavy Duty Clamp HD1501 (BUP1000)

### Complementary

BIS Heavy Duty Clamp HD500 (BUP1000)

### Alternative

Walraven RapidStrut® Slide Nut G2 (BUP1000)  
 Walraven RapidStrut® Slide Nut  
 Walraven Strut Slide Nut (BUP1000)