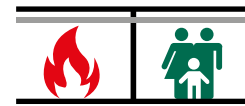
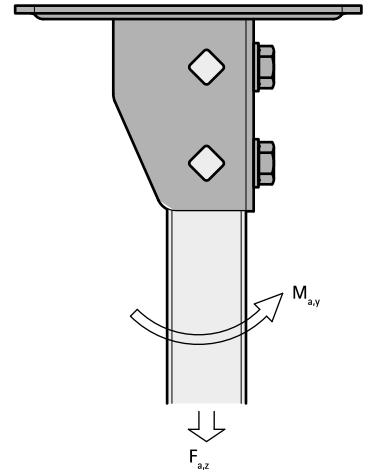


# Walraven Strut Base Plate G2 (zp)

(H 12 11)

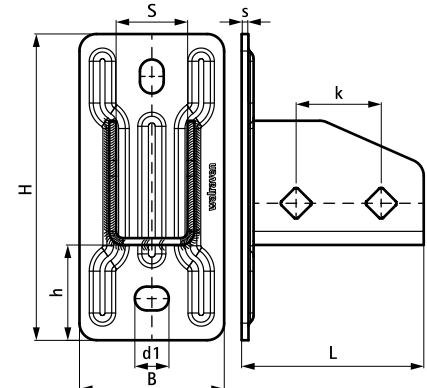


## Features and Benefits

- flexible base plate for Strut rails
  - suitable for all Strut rail up to 82mm height
  - open side of rails 41x41 can be turned to all sides
  - at high loads we advise to install with throughbolts
  - material: steel
  - tested for fire safety according to EN 1366-1
- zinc plated

Part No.	L	B	H	h	s	d1	S	k	F <sub>a,z</sub> (N)	F <sub>a,z 2</sub> (N)	M <sub>a,y</sub> (Nm)	Pack 1
66583804	107 mm	85 (mm)	180 (mm)	56 (mm)	4.0 (mm)	20 x 14 (mm)	42 (mm)	50 (mm)	3,636 (N)	5,151 (N)	485.0 (Nm)	10

*F<sub>a,z</sub>: max. allowed load in combination with 2 slide nuts M10, tightened with 40 Nm.*  
*F<sub>a,z 2</sub>: max. allowed load in combination with 2 throughbolts M10, tightened with 40 Nm.*  
*M<sub>a,y</sub>: max. moment in combination with 2 throughbolts M10, tightened with 40 Nm.*



### Complementary

- Walraven RapidStrut® Fixing Rail (pg)
- Walraven RapidStrut® Slide Nut with Plastic Tabs (zp)
- Walraven Washer (Flat)

### Complementary

- WTB1 Throughbolt Anchor
- BIS Hexagon Head Bolt

### Alternative

- Walraven RapidStrut® Base Plate G2 (BUP1000)
- Walraven Strut Base Plate Heavy Duty (BUP1000)