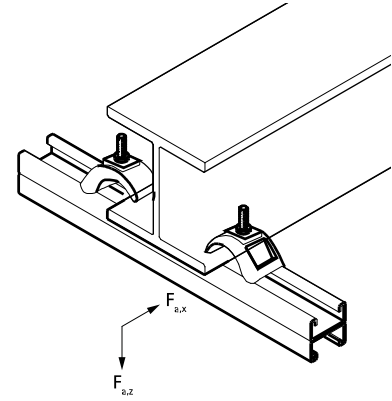


Walraven Strut 'Heavy Duty' Beam Clamp

(H 36 40)

fixing to steel beam up to flange 35 mm

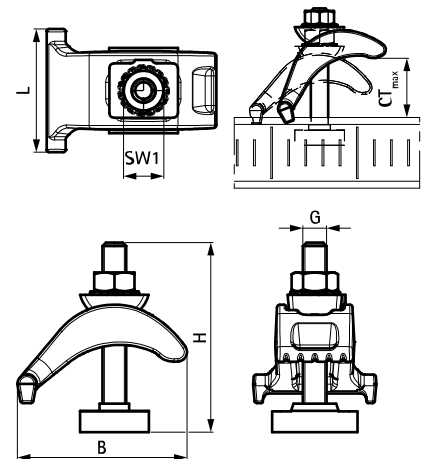


Features and Benefits

- solid cast iron beam clamp for suspension of heavy loads onto beams without welding or drilling
- material: steel
- hot dip galvanized
- up to flange thickness 35 mm
- for fixing of all Strut to a steel beam

Part No.	G	L	B (mm)	H (mm)	CT _{max} (mm)	SW1 (mm)	T _(inst.) (Nm)	For Rail	F _{a,z} (N)	F _{a,x} (N)	Pack 1
6072002	M10	52 mm	72	80	35	17	30.0	Strut	7,800	1,500	25

F_{a,z}: max. allowed load acc. RAL GZ-655 / D-3.3.



Complementary

- Walraven RapidStrut® Fixing Rail (pg)
- Walraven RapidStrut® Fixing Rail DS 5 (BUP1000)
- Walraven RapidStrut® Fixing Rail (BUP1000)

Complementary

- Walraven RapidStrut® Fixing Rail Double (pg)
- Walraven RapidStrut® Fixing Rail Double (hdg)

Alternative

- Walraven Strut 41x21D 'Heavy Duty' Set