

Walraven Slide Nut 651D – 50x40

(G 30 15)

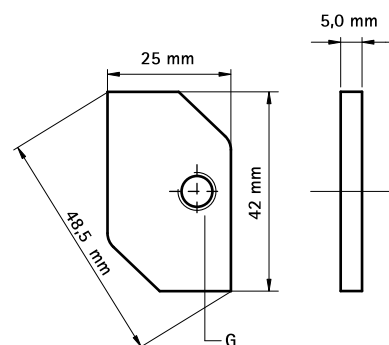
fixing to rail 50x40



Features and Benefits

- material: steel
- zinc plated

Part No.	G	T _(inst.) (Nm)	For Rail	F _{a,z} (N)	Pack 1	Pack 2
6515008	M8	25.0	50x40	3,000	50	250
6515010	M10	40.0	50x40	3,000	50	250
6515012	M12	40.0	50x40	3,000	50	250



Complementary

Walraven Fixing Rail – 50x40
 Walraven Cantilever Arm – 50x40
 (BUP1000)