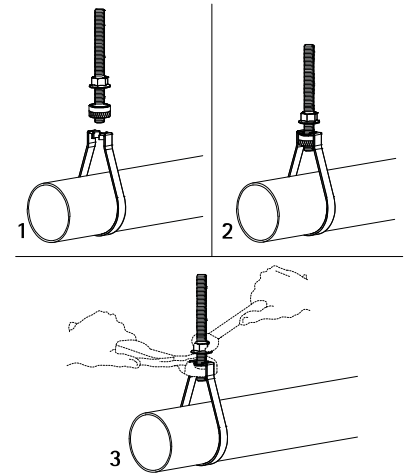


Walraven S-LF Loop Hanger

(B 12 17)

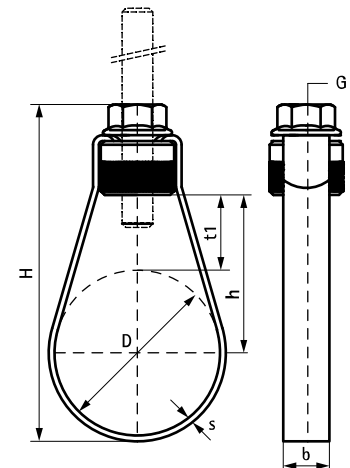
for fixing of ceiling mounted sprinkler installation 26.9 - 219.1 mm



Features and Benefits

- easy installation with flange and cap nut
- for pipe suspension from threaded rod or stud bolts
- single band pipe loop with knurled nut and locking nut
- height adjustable, also after pipe insertion
- material: steel
- clamp: pre-galvanized; nut: zinc plated
- with VdS approval - certificate number G 424001
- with FM approval - certificate number PR470217(> M10)

Part No.	D (mm)	D (°)	DN	G	H (mm)	h (mm)	b x s (mm)	t1 (mm)	F _{a,z} (N)	FM	VdS	Pack 1
45555028	26.9	¾	20	M8	71	56	12 x 1.50	43	2,000	-	VdS	100
45555035	33.7	1	25	M8	79	61	12 x 1.50	44	2,000	-	VdS	100
45555044	42.4	1¼	32	M8	89	66	12 x 1.50	45	2,000	-	VdS	100
45555050	48.3	1½	40	M8	97	71	12 x 1.50	47	2,000	-	VdS	50
45555062	60.3	2	50	M8	112	80	12 x 1.50	50	2,000	-	VdS	50
45565028	26.9	¾	20	M10	73	58	12 x 1.50	-	2,000	FM	VdS	100
45565035	33.7	1	25	M10	81	63	12 x 1.50	46	2,000	FM	VdS	100
45565044	42.4	1¼	32	M10	91	68	12 x 1.50	47	2,000	FM	VdS	100
45565050	48.3	1½	40	M10	108	82	12 x 1.50	58	2,000	FM	VdS	50
45565062	60.3	2	50	M10	114	82	12 x 1.50	52	2,000	FM	VdS	50
45565077	76.1	2½	65	M10	140	99	15 x 2.50	61	3,500	FM	VdS	50
45565090	88.9	3	80	M10	161	114	15 x 2.50	70	3,500	FM	VdS	25
45565108	108.0	-	-	M10	201	144	15 x 2.50	90	3,500	-	VdS	25
45565115	114.3	4	100	M10	204	144	15 x 2.50	87	3,500	FM	VdS	25
45565133	133.0	-	-	M12	223	154	15 x 2.50	88	5,000	-	VdS	20
45565142	139.7	5	125	M12	233	161	15 x 2.50	91	5,000	FM	VdS	20
45565159	159.0	-	-	M12	271	189	15 x 2.50	110	5,000	-	VdS	20
45565170	168.3	6	150	M12	276	189	15 x 2.50	105	5,000	FM	VdS	20
45565221	219.1	8	200	M16	353	241	25 x 2.50	131	8,500	FM	VdS	10



Complementary

BIS Sprinkler Clamp HD500 (BUP1000)
BIS Beam Clamp Model C

Alternative

BIS Sprinkler Clamp TA41