

Walraven RapidStrut® Slide Nut MS (zp)

(H 24 11)

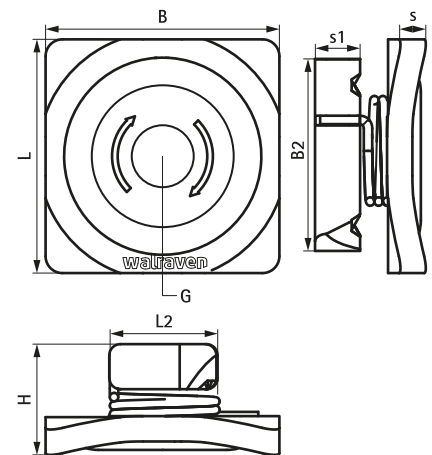


Features and Benefits

- slide nut with washer and metal spring
- ready-to-use pre-assembled for a quick fixing, and retains assembly in place before final tightening
- solid washer for strong connection
- robust since completely made from metal
- material: steel 1.0332
- zinc plated ISO 2081-Fe/Zn5/A (EN ISO 2081:2008)

Part No.	G	L	L2	B	B2	H	s	s1	T _{inst}	For Rail	F _{a,z}	F _{a,x}	Pack 1
			(mm)	(mm)	(mm)	(mm)	(mm)	(mm)	(Nm)		(N)	(N)	
66513108	M8	43 mm	19 mm	43	34	20	4.0	8.0	25.0	Strut	4,450	1,450	150
66513110	M10	43 mm	19 mm	43	34	20	4.0	8.0	30.0	Strut	5,000	1,810	150
66513112	M12	43 mm	19 mm	43	34	20	4.0	10.0	40.0	Strut	5,000	2,790	150

*Tested values in combination with BIS RapidStrut® Rail 41x41x2.5mm.
More details can be found on the Technical Datasheet.*



Complementary

- Walraven RapidStrut® Fixing Rail (pg)
- Walraven RapidStrut® Cantilever Arm 41x41D (BUP1000)
- Walraven RapidStrut® Cantilever Arm (BUP1000)

Alternative

- Walraven RapidStrut® Slide Nut G2 (BUP1000)
- Walraven RapidStrut® Slide Nut with Plastic Tabs (zp)