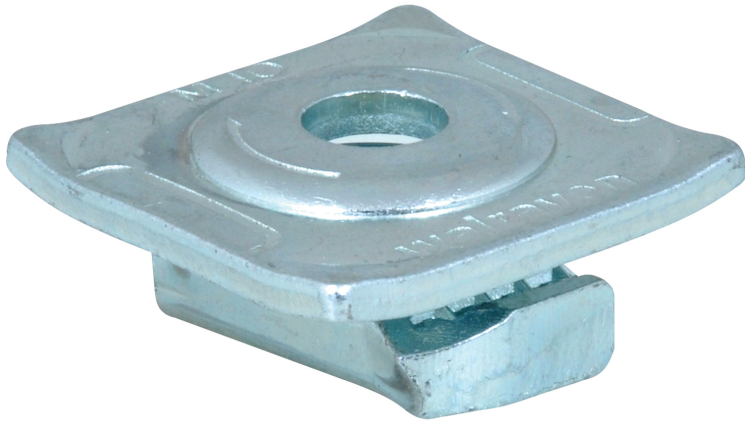


Walraven RapidStrut® Slide Nut MS (BUP1000)

(H 24 09)

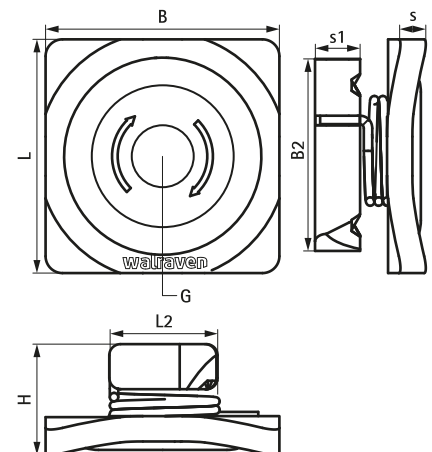


Features and Benefits

- slide nut with washer and metal spring
- ready-to-use pre-assembled for a quick fixing, and retains assembly in place before final tightening
- solid washer for strong connection
- robust since completely made from metal
- material: steel
- surface protection:
 - product is part of the Walraven BIS UltraProtect® 1000 system
 - suitable for in- and outdoor applications
 - stands min. 1,000 hours salt spray test (max. 5% red rust) according to ISO 9227

| Part No. | G | L | L2 | B | B2 | H | s | s1 | T _{inst} | For Rail | F _{a,z} | F _{a,x} | Pack 1 |
|----------|-----|-------|-------|------|------|------|------|------|-------------------|----------|------------------|------------------|--------|
| | | | (mm) | (mm) | (mm) | (mm) | (mm) | (mm) | (Nm) | | (N) | (N) | |
| 66518308 | M8 | 43 mm | 19 mm | 43 | 34 | 20 | 4.0 | 8.0 | 25.0 | Strut | 4,450 | 1,450 | 150 |
| 66518310 | M10 | 43 mm | 19 mm | 43 | 34 | 20 | 4.0 | 8.0 | 30.0 | Strut | 5,000 | 1,810 | 150 |
| 66518312 | M12 | 43 mm | 19 mm | 43 | 34 | 20 | 4.0 | 10.0 | 40.0 | Strut | 5,000 | 2,790 | 150 |

*Tested values in combination with BIS RapidStrut® Rail 41x41x2.5mm.
More details can be found on the Technical Datasheet.*



Complementary

- Walraven RapidStrut® Fixing Rail (BUP1000)
- Walraven RapidStrut® Cantilever Arm 41x41D (BUP1000)
- Walraven RapidStrut® Cantilever Arm

Alternative

- Walraven RapidStrut® Slide Nut G2 (BUP1000)
- Walraven RapidStrut® Slide Nut with Plastic Tabs (zp)