

# Walraven RapidStrut® Cantilever Arm with Rail Prop

(H 08 15)

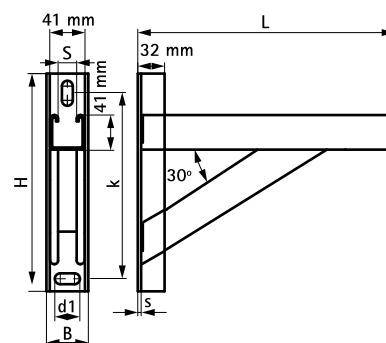
fixing to wall



## Features and Benefits

- wall plate welded on Strut Profile
- CO<sub>2</sub> welded
- with prop
- inward formed flanges with serrated profile for extra grip
- material: steel 1.0332
- hot dip galvanized

Part No.	L	B	H	s	d1	S	k	From Rail	F <sub>a,z</sub> (N)	Pack 1
		(mm)	(mm)	(mm)	(mm)	(mm)	(mm)			
6601894	600 mm	50	350	4.0	23 x 13	22	311.5	Strut 41x41	1,400	-



**Complementary**  
Walraven Strut Slide Nut (hdg)