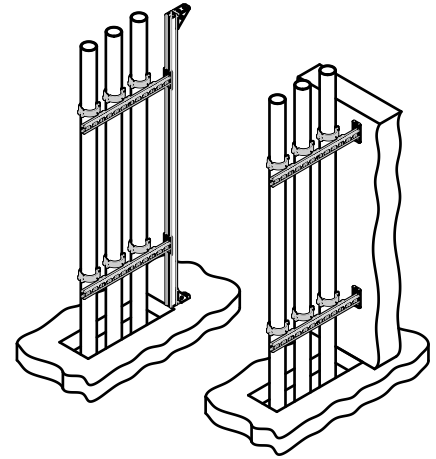


Walraven RapidStrut® Cantilever Arm Vertical (BUP1000)

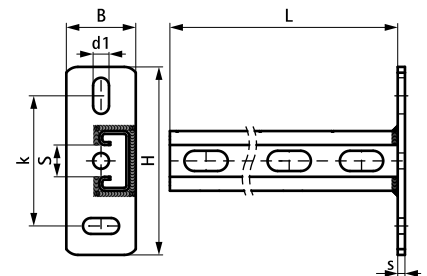
(H 08 07)



Features and Benefits

- vertical welded cantilever arm for vertical pipe installations
- perfect solution for shaft situations with or without wall
- optimal utilization of the available space in shafts
- CO₂ welded
- inward formed flanges with serrated profile for extra grip
- material: steel 1.0226
- surface protection:
 - product is part of the Walraven BIS UltraProtect® 1000 system
 - suitable for in- and outdoor applications
 - stands min. 1,000 hours salt spray test (max. 5% red rust) according to ISO 9227

| Part No. | L | B (mm) | H (mm) | s (mm) | d1 (mm) | S (mm) | k (mm) | From Rail | Pack 1 |
|----------|--------|-----------|-----------|-----------|------------|-----------|-----------|-------------|--------|
| 6603828 | 300 mm | 48 | 130 | 5.0 | 25 x 11 | 22 | 90 | Strut 41x21 | 10 |
| 6603829 | 600 mm | 48 | 130 | 5.0 | 25 x 11 | 22 | 90 | Strut 41x21 | 10 |



Complementary

- Walraven RapidStrut® Fixing Rail (BUP1000)
- Walraven RapidStrut® Slide Nut G2 (BUP1000)
- Walraven RapidStrut® Hammerfix G2

Complementary

- Walraven RapidStrut® Slide Nut
- WTB1 Throughbolt Anchor