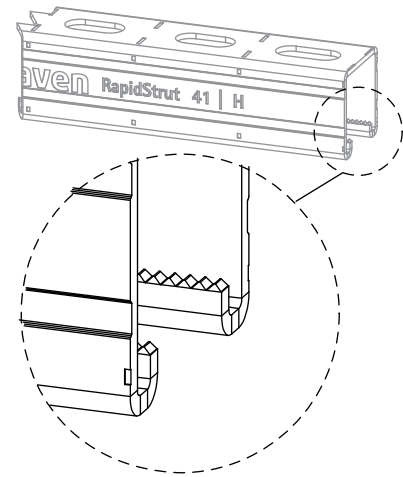
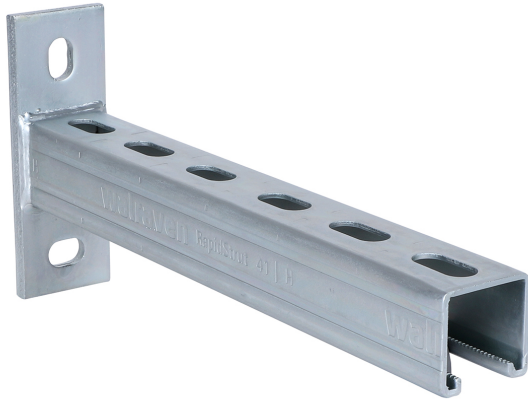


Walraven RapidStrut® Cantilever Arm (BUP1000)

(H 08 06)

fixing to wall, floor or ceiling

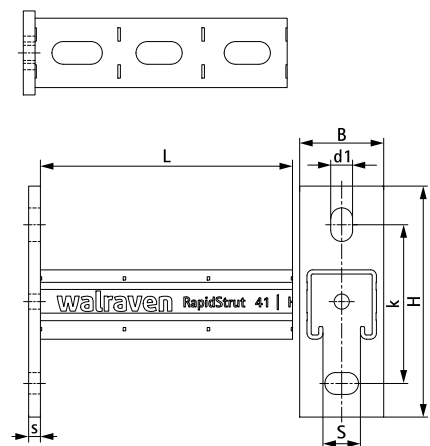


Features and Benefits

- base plate with welded RapidStrut® Profile
- for quick and adjustable fixing of one or multiple pipes
- CO₂ welded
- with continuous perforation
- with sawing marks each 50 mm on all 3 sides of the profile
- well balanced relation between base plate and profile for optimal use of load performance
- material: profiles made of steel 1.0038 (S235JR)
- material: base plate type 21 | H made of steel 1.0044 (S275JR)
- material: base plate type 41 | M and 41 | H made of steel 1.0045 (S355JR)
- surface protection:
 - product is part of the Walraven BIS UltraProtect® 1000 system
 - suitable for in- and outdoor applications
 - stands min. 1,000 hours salt spray test (max. 5% red rust) according to ISO 9227
- strut type 41 | H and above tested for fire safety according to EN 1363-1
- for more information about the max. allowed load ($F_{a,z}$) please refer to the loading tables or our online datasheet 'Walraven RapidStrut® Data Sheet'

| Part No. | Type | L | B (mm) | H (mm) | s (mm) | d1 (mm) | S (mm) | k (mm) | Pack 1 |
|----------|--------|----------|-----------|-----------|-----------|------------|-----------|-----------|--------|
| 66082120 | 21 H | 200 mm | 50 | 110.0 | 5.0 | 18 x 11 | 22 | 70 | 10 |
| 66082130 | 21 H | 300 mm | 50 | 110.0 | 5.0 | 18 x 11 | 22 | 70 | 10 |
| 66082145 | 21 H | 450 mm | 50 | 110.0 | 5.0 | 18 x 11 | 22 | 70 | 20 |
| 66082160 | 21 H | 600 mm | 50 | 110.0 | 5.0 | 18 x 11 | 22 | 70 | 10 |
| 66084030 | 41 M | 300 mm | 50 | 137.5 | 7.0 | 20 x 13 | 22 | 95 | 10 |
| 66084045 | 41 M | 450 mm | 50 | 137.5 | 7.0 | 20 x 13 | 22 | 95 | 10 |
| 66084060 | 41 M | 600 mm | 50 | 137.5 | 7.0 | 20 x 13 | 22 | 95 | 8 |
| 66084115 | 41 H | 150 mm | 50 | 137.5 | 7.0 | 20 x 13 | 22 | 95 | 10 |
| 66084120 | 41 H | 200 mm | 50 | 137.5 | 7.0 | 20 x 13 | 22 | 95 | 10 |
| 66084130 | 41 H | 300 mm | 50 | 137.5 | 7.0 | 20 x 13 | 22 | 95 | 10 |
| 66084140 | 41 H | 400 mm | 50 | 137.5 | 7.0 | 20 x 13 | 22 | 95 | 10 |
| 66084145 | 41 H | 450 mm | 50 | 137.5 | 7.0 | 20 x 13 | 22 | 95 | 10 |
| 66084150 | 41 H | 500 mm | 50 | 137.5 | 7.0 | 20 x 13 | 22 | 95 | 10 |
| 66084160 | 41 H | 600 mm | 50 | 137.5 | 7.0 | 20 x 13 | 22 | 95 | 8 |
| 66084175 | 41 H | 750 mm | 50 | 137.5 | 7.0 | 20 x 13 | 22 | 95 | 8 |
| 66084198 | 41 H | 1,000 mm | 50 | 137.5 | 7.0 | 20 x 13 | 22 | 95 | 1 |
| 66084199 | 41 H | 1,200 mm | 50 | 137.5 | 7.0 | 20 x 13 | 22 | 95 | 1 |

For more information about the max. allowed load ($F_{a,z}$) please refer to the loading tables or our online datasheet 'Walraven RapidStrut® Data Sheet'.



Complementary

- Walraven Strut Slide Nut (BUP1000)
- Walraven Strut Rail End Cap
- Walraven Strut Rubber Strip

Complementary

- Walraven Rail Prop (BUP1000)
- BIS Expansion Device