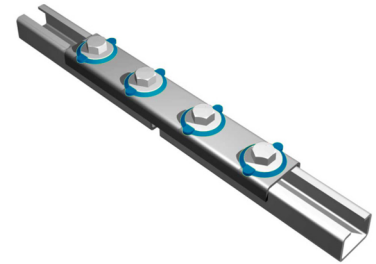
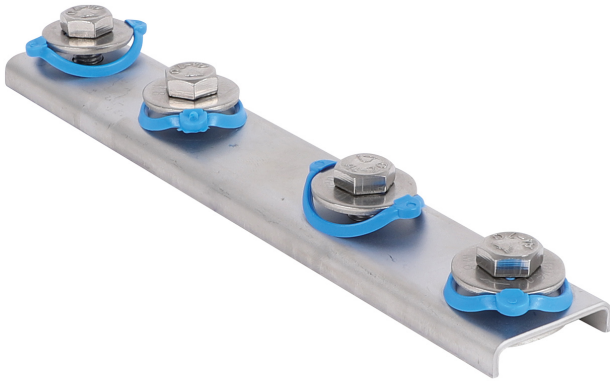


Walraven RapidRail[®] Stainless Steel Linear Connector

(M 34 10)

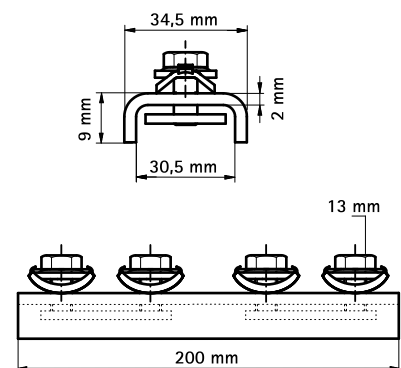
to make Walraven RapidRail[®] fabrications



Features and Benefits

- connector with pre-assembled BIS RapidRail[®] Slide nut(s)
- to make rail fabrications
- suitable for rail 30x15, 30x20, 30x30
- ready-to-use pre-assembled for a quick fixing, and retains assembly in place before final tightening
- material: stainless steel 1.4401/1.4404 (A4) - EN10088, AISI 316/316L; spring(s) made of of POM (polyoxymethylene), blue (according to RAL 5015)

Part No.	T _(inst.) (Nm)	For Rail	F _{a,x} (N)	Pack 1
6547001	15.0	30x15, 30x20, 30x30	1,547	25



Complementary

Walraven RapidRail[®] Stainless Steel Fixing Rail