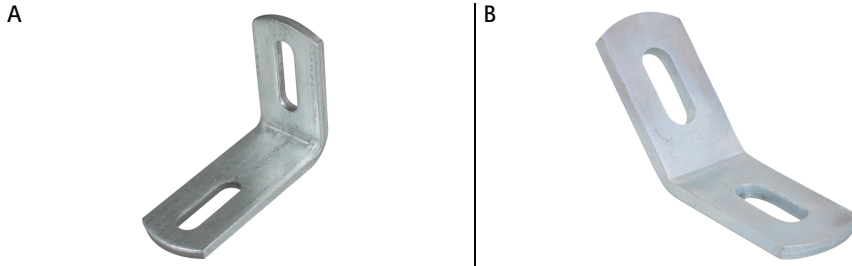


# Walraven Rail Connector

(G 35 25)

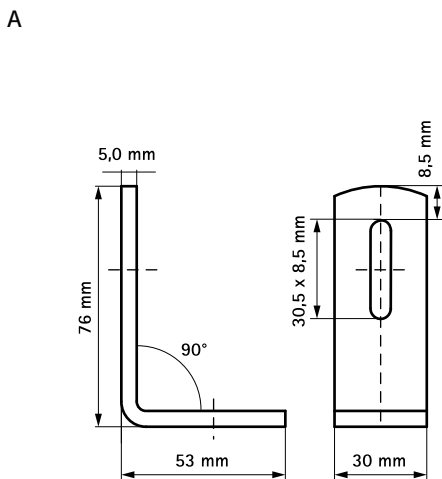
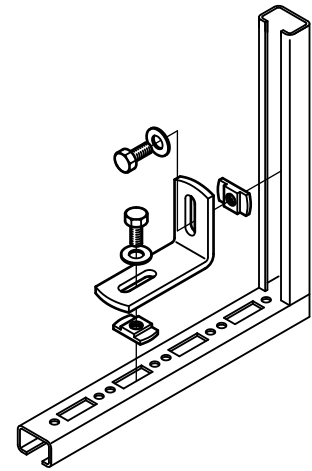
to make Walraven RapidRail® fabrications



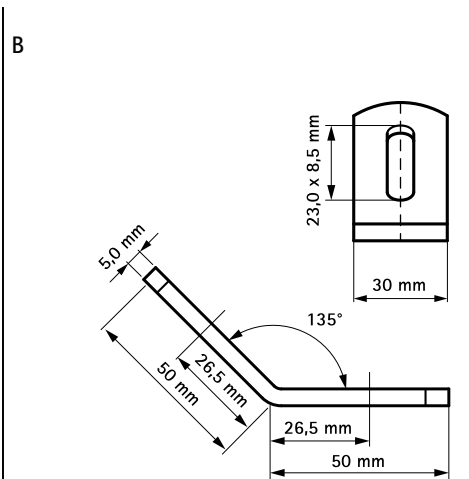
## Features and Benefits

- to make rail fabrications
- suitable for rail 27x18, 30x15, 30x20, 30x30, 30x45, 38x40
- material: steel
- zinc plated

Part No.	a (°)	T <sub>(inst.)</sub> (Nm)	For Rail	Pack 1
A 6585090	90°	15.0	27x18, 30x15, 30x20, 30x30, 30x45, 38x40	50
B 6585135	135°	15.0	27x18, 30x15, 30x20, 30x30, 30x45, 38x40	50



**Complementary**  
Walraven RapidRail® Fixing Rail



**Alternative**  
Walraven RapidRail® Connector 90°