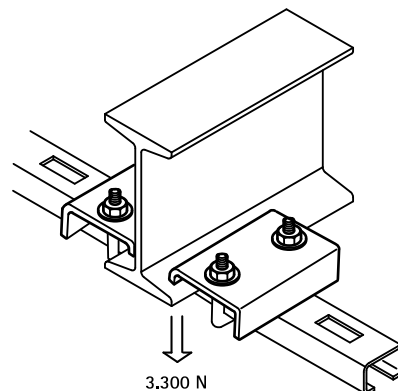


Walraven Rail Beam Clamp - 50x40

(G 40 15)

fixing to steel beam



Features and Benefits

- for a solid fixing to steel construction
- zinc plated
- without the need for welding or drilling
- always use 2 beam clamps per fixing
- material: steel

Part No.	A (mm)	L	B (mm)	For Rail	F _{a,z} (N)	Pack 1
6585003	< 20	118 mm	50	50x40	3,300	50

