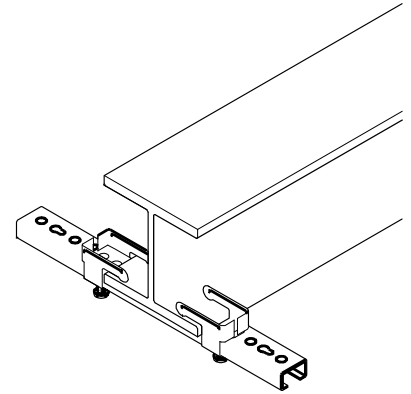
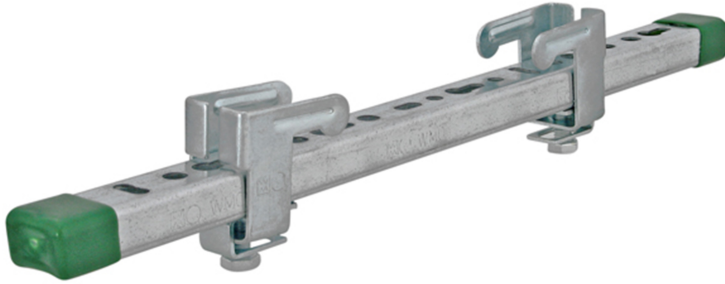


Walraven Rail 27x18 'Light Duty' Set

(G 40 30)

fixing to steel beam up to flange 12 mm



Features and Benefits

- for suspension of light components like cable trays, duct work, etc. onto beams without welding or drilling
- up to flange thickness 12 mm
- material: beam clamp made of steel; rail made of steel 1.0242
- beam clamp also available loose
- beam clamp: zinc plated; rail: pre-galvanized
- consists of:
 - 1 length of rail 27x18 mm
 - 2 Beam clamps 27x18 (Part No. 6070000)
 - 2 Rail End Caps

CSTB

le futur en construction

Rapport de test n°EEM11 26035356

Part No.	A (mm)	L	T _(inst.) (Nm)	From Rail	CSTB	Pack 1
6070400	< 12	400 mm	15.0	27x18	CSTB	20

