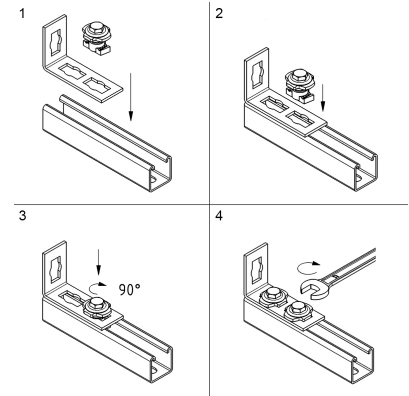
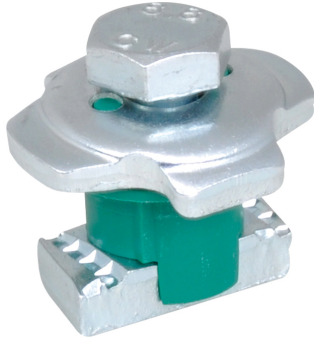


Walraven PushStrut Button

(H 29 05)

for easy installation of complex rail constructions

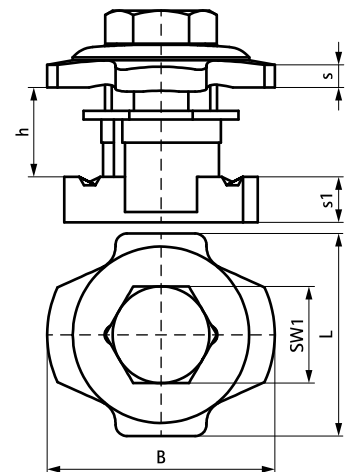


Features and Benefits

- universal button: easily combined with all common Strut profiles and all BIS PushStrut Connectors
- teeth with force fit connections offer more stability
- timesaving and flexible
- easy to remove and reusable
- 3D constructions due to 3D Connectors
- material: steel
- zinc plated

Part No.	L	B	h	s	s1	SW1	F _{a,z}	F _{a,x}	Pack 1
		(mm)	(mm)	(mm)	(mm)	(mm)	(N)	(N)	
66519910	36 mm	40	15	4.0	8.0	17	5,000	3,000	50

The max. allowed load (F_{a,z}) in the table refers to rails and cantilever arms with a material thickness of 2.5 mm. The F_{a,z} at a thickness of 2.0 mm profile thickness = 4,500 N. The F_{a,z} at a thickness of 1.5 mm profile thickness = 3,500 N.



Complementary

- Walraven RapidStrut® Fixing Rail (pg)
- Walraven PushStrut Connector Flat
- Walraven PushStrut Construction Bracket Q (zp)

Complementary

- Walraven PushStrut Connector 90°
- Walraven PushStrut T-Connector
- Walraven PushStrut 3D Connector