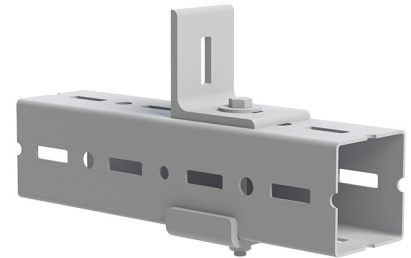


Walraven Maxx Bolt Set (ZFC)

(H2 05 28)

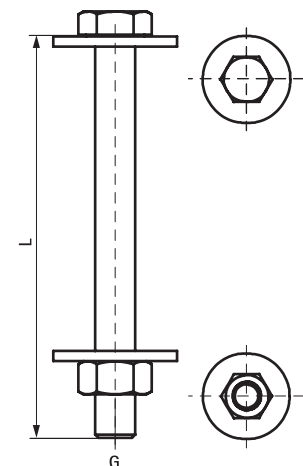
for fixing to Maxx Heavy Rail Profiles



Features and Benefits

- for fixing in profile perforation
- when tightening directly onto Maxx profiles, it is strongly advised to use Maxx U-shape brackets
- hexagon head bolt set with 2 washers and hexagon nut for Maxx profile connections
- the bolt size is ideally suited to fit the perforation of Maxx Heavy Rail Profile
- max. torque is 80Nm
- material: steel, strength class 8.8
- surface treatment: zinc flake coated
- consists of:
 - 1 bolt DIN931
 - 1 hexagon nut DIN934
 - 2 washers 37x3mm

Part No.	Model	G	L	Pack 1
614581212	Maxx 80 Bolt Set	M12	120 mm	25
614581612	Maxx 80 Bolt Set	M16	120 mm	25
614581213	Maxx 100 Bolt Set	M12	140 mm	25
614581216	Maxx 120 Bolt Set	M12	160 mm	25
614581614	Maxx 100 Bolt Set	M16	140 mm	25



Complementary

Walraven Maxx Heavy Rail Profile
Walraven Maxx U-Shape Bracket
Walraven Maxx Base Plate

Complementary

Walraven Maxx Profile Connector 90°
Walraven Maxx Linear Connector Set
Walraven Maxx T-Connector