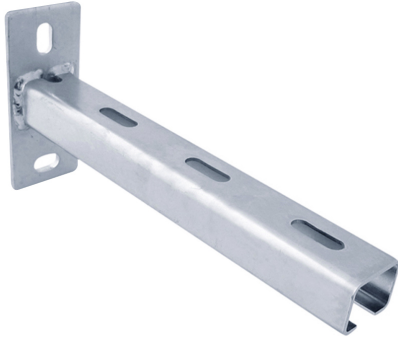


Walraven Cantilever Arm – 50x40 (BUP1000)

(G 10 15)

fixing to wall or ceiling

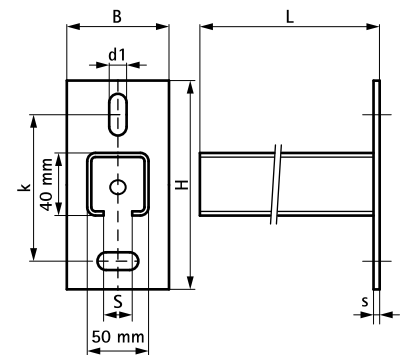


Features and Benefits

- wall plate with welded C-profile
- perfectly suitable for hanging to the ceiling
- slots at 90° to each other to simplify fixing
- CO₂ welded
- material: steel
- surface protection:
 - product is part of the Walraven BIS UltraProtect® 1000 system
 - suitable for in- and outdoor applications
 - stands min. 1,000 hours salt spray test (max. 5% red rust) according to ISO 9227

Part No.	L	B	H	s	d1	S	k	From Rail	Pack 1
		(mm)	(mm)	(mm)	(mm)	(mm)	(mm)		
6603335	350 mm	70	160	8.0	26 x 14	18	115	50x40	10
6603355	550 mm	70	160	8.0	26 x 14	18	115	50x40	-

For more information about the max. allowed load ($F_{o,z}$) please refer to the loading tables or our online datasheet 'Technical Details BIS RapidRail®'.



Complementary

Walraven Rail Prop - 50x40
BIS Rail End Cap - 50x40