

WUP Uni Plug

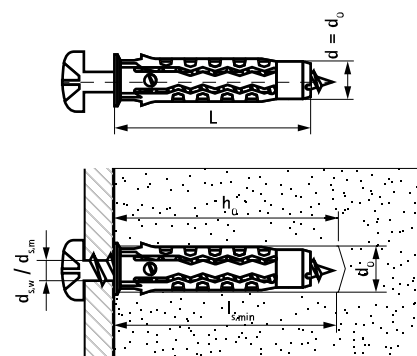
(L 07 05)

standard universal anchor for all types of substrates



Features and Benefits

- high load capacity
- can be used with wood screws, chipboard screws and metric bolts
- suitable for variety of substrates
- easily slides into holes
- does not slip past collar in deep holes
- does not expand prematurely
- resists rotation in holes
- Application:
 - shelves
 - wall-mounted cabinets
 - sanitary fixings
 - HVAC and plumbing fixings
- material: high quality PA6 polyamide
- substrate type:
 - lightweight concrete
 - concrete
 - masonry
 - hollow masonry
 - rock
 - sand-lime bricks
 - natural stone
 - gypsum



Part No.	Code	L	d ₀	h ₀	d _{s,w}	d _{s,m}	l _{s,min}	Rec. Tension Load Solid Brick (kN)	Rec. Tension Load Perforated Brick (kN)	Rec. Tension Load C20/25 Concrete (kN)	Rec. Tension Load Lightweight Concrete (kN)	Rec. Tension Load Sandstone (kN)	Pack 1	Pack 2
6100706	WUP 6x30	30 mm	6	40	3.5 - 5.0	M4	34	0.90	0.20	0.45	0.12	0.70	100	3,600
6100708	WUP 8x40	40 mm	8	50	4.5 - 6.0	-	44	1.00	0.40	1.15	0.19	1.00	100	3,600
6100710	WUP 10x50	50 mm	10	70	6.0 - 8.0	-	54	1.10	0.45	1.90	0.30	1.80	50	1,800
6100712	WUP 12x60	60 mm	12	70	8.0 - 10.0	-	64	1.50	0.50	2.70	0.40	2.10	25	900

Given recommended tension loads have been reached using a maximum diameter wood screw and include a safety factor of 5.