

WEP-G Expansion Plug

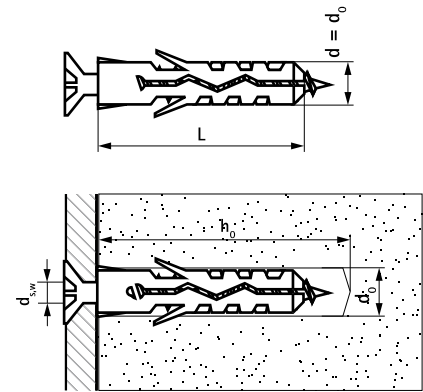
(L 07 13)

economical expansion anchor for solid substrates



Features and Benefits

- can be used with wood screws or chipboard screws
 - suitable for variety of substrates
 - does not expand prematurely
 - Application:
 - shelves
 - wall-mounted cabinets
 - sanitary fixings
 - HVAC and plumbing fixings
 - material: high quality PA6 polyamide
- substrate type:
 - lightweight concrete
 - concrete
 - masonry
 - hollow masonry
 - rock
 - sand-lime bricks
 - natural stone
 - gypsum



Part No.	Code	L	d ₀	h ₀	d _{s,w}	Rec. Tension Load Solid Brick	Rec. Tension Load C20/25 Concrete	Pack 1	Pack 2
			(mm)	(mm)	(mm)	(kN)	(kN)		
61001105	WEP-G 5x25	25 mm	5	30	2.5 - 4.0	0.32	0.38	100	8,000
61001106	WEP-G 6x30	30 mm	6	35	3.5 - 5.0	0.45	0.57	100	8,000
61001108	WEP-G 8x40	40 mm	8	50	4.5 - 6.0	0.72	0.77	100	4,000
61001110	WEP-G 10x50	50 mm	10	60	6.0 - 8.0	0.87	1.58	50	2,000
61001112	WEP-G 12x60	60 mm	12	70	8.0 - 10.0	0.93	1.92	25	1,000
61001114	WEP-G 14x70	70 mm	14	85	10.0 - 12.0	1,15	3.90	20	800

Given recommended tension loads have been reached using a maximum diameter wood screw and include a safety factor of 5.