

# WEP-C Expansion Plug

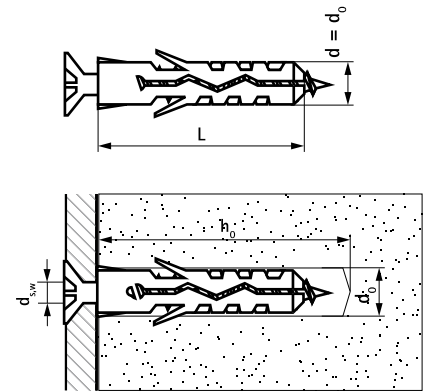
(L 07 14)

economical expansion anchor for solid substrates



## Features and Benefits

- suitable for variety of substrates
  - does not expand prematurely
  - Application:
    - shelves
    - wall-mounted cabinets
    - sanitary fixings
    - HVAC and plumbing fixings
  - material: high quality PA6 polyamide
- substrate type:
    - lightweight concrete
    - concrete
    - masonry
    - hollow masonry
    - rock
    - sand-lime bricks
    - natural stone
    - gypsum



Part No.	Code	L	d <sub>0</sub>	h <sub>0</sub>	d <sub>s,w</sub>	Rec. Tension Load Solid Brick	Rec. Tension Load C20/25 Concrete	Pack 1	Pack 2
61001206	WEP-C 6x30mm	30 mm	6	35	4.00	0.20	0.57	500	6,000
61001208	WEP-C 8x40mm	40 mm	8	50	5.00	0.40	1.15	300	3,600
61001210	WEP-C 10x50mm	50 mm	10	60	6.00	0.60	1.20	150	1,800
61001212	WEP-C 12x60mm	60 mm	12	70	8.00	0.60	1.80	100	1,200

*Given recommended tension loads have been reached using a maximum diameter wood screw and include a safety factor.*